



OPERATING MANUAL
BEDIENUNGSANLEITUNG
MODE D'EMPLOI
MANUAL DE FUNCIONAMIENTO
MANUALE DI ISTRUZIONI
ΕΓΧΕΙΡΙΔΙΟ ΛΕΙΤΟΥΡΓΙΑΣ
使用说明书
РУКОВОДСТВО ПО ЭКСПЛУАТАЦИИ
MANUAL DE INSTRUÇÕES

OPERATING MANUAL

AIR CONDITIONER

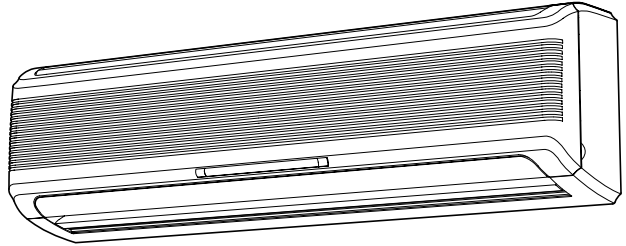
WALL MOUNTED TYPE

Indoor Unit

AS□A18L

AS□A24L

AS□A30L



English

Deutsch

Français

Español

Italiano

Ελληνικά

中国語

Русский

Português

KEEP THIS MANUAL
FOR FUTURE REFERENCE

FUJITSU GENERAL LIMITED



P/N9371056029

CONTENTS

SAFETY PRECAUTIONS	1	OPERATING TIPS	4
NAME OF PARTS	2	CLEANING AND CARE	5
MANUAL AUTO OPERATION	3	TROUBLESHOOTING	7
ADJUSTING THE DIRECTION OF AIR CIRCULATION	3	SPECIFICATIONS	8

SAFETY PRECAUTIONS

- Before using the appliance, read these "PRECAUTIONS" thoroughly and operate in the correct way.
- The instructions in this section all relate to safety; be sure to maintain safe operating conditions.
- "WARNING" and "CAUTION" have the following meanings in these instructions:

 WARNING!	This mark indicates procedures which, if improperly performed, might lead to the death or serious injury of the user.
 CAUTION!	This mark indicates procedures which, if improperly performed, might possibly result in personal harm to the user, or damage to property.

PRECAUTIONS ON USE

WARNING!

- Do not keep exposing oneself to the direct wind of air conditioner for a long time.
- Do not insert fingers or objects into the outlet port or intake grilles.
- Do not start and stop air conditioner operation by disconnecting the power supply cord and so on.
- If the power supply cord of this appliance is damaged, it should only be replaced by the authorized service personal, since special purpose tools and specified cord are required.
- If any refrigerant happens to leak, extinguish any flames, ventilate the room and get in touch with authorized service personnel.

CAUTION!

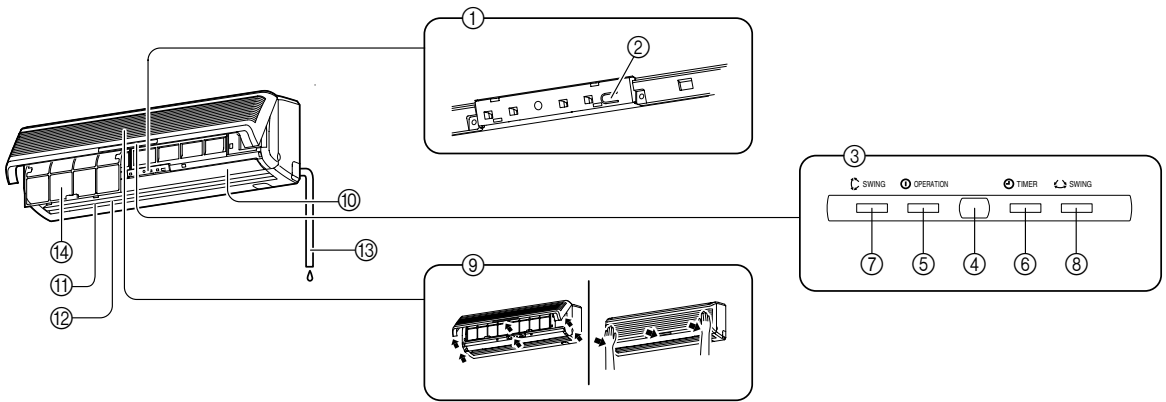
- Provide occasional ventilation during use.
- Do not use in applications involving the storage of foods, precision equipment, or art works.
- Do not place animals or plants in the direct path of the air flow.
- Do not direct air flow at fireplaces or heating apparatus.
- Do not block or cover the inlet port and outlet port.
- Do not climb on, or place objects on, the air conditioner.
- Do not set flower vases or water containers on top of air conditioners.
- Do not hang objects from the indoor unit.
- Do not place anything below the indoor unit that should not get wet.
- Always turn off the electrical breaker whenever cleaning the air conditioner or the air filter.
- Do not expose the air conditioner directly to water.
- Do not operate the air conditioner with wet hands.
- Check the condition of the installation stand for damage.
- Operate only with air filters installed.
- Do not drink the water drained from the air conditioner.
- Do not apply any heavy pressure to radiator fins.
- Do not use inflammable gases near the air conditioner.
- Do not touch the piping during operation.
- Ensure that any electronic equipment is at least one metre away from either the indoor or outdoor units.

PRECAUTIONS ON INSTALLATION

CAUTION!

- Do not attempt to install this air conditioner by yourself.
- This unit contains no user-serviceable parts. Always consult authorized service personnel for repairs.
- When moving, consult authorized service personnel for disconnection and installation of the unit.
- The unit must be grounded.
- Make sure drain work is implemented properly for drainage.
- Avoid installing the air conditioner near a fireplace or other heating apparatus.
- When installing the indoor and outdoor units, take precautions to prevent access by infants.


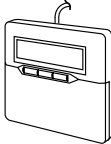

NAME OF PARTS



- ① **Operating Control Panel**
 - ② **MANUAL AUTO button**
- ③ **Indicator Lamps**
 - ④ **Remote Control Signal Receiver**
 - ⑤ **OPERATION Indicator Lamp (red)**
 - ⑥ **TIMER Indicator Lamp (green)**
 - ⑦ **SWING Indicator Lamp (orange) (VERTICAL SWING)**
 - ⑧ **SWING Indicator Lamp (orange) (HORIZONTAL SWING)**

- ⑨ **Intake Grille**
- ⑩ **UP/DOWN Air Direction Flaps**
- ⑪ **Moving Diffuser**
- ⑫ **RIGHT/LEFT Air Direction Louvers (behind UP/DOWN Air Direction Flaps)**
- ⑬ **Drain Hose**
- ⑭ **Air Filter**

Electrical Breaker
 This breaker is installed during the electrical installation.

Control unit (optional)		
Wireless Remote Controller	Wired Remote Controller	Simple Remote Controller
		
For operation method, please refer to the Operating Manual of each device.		

MANUAL AUTO OPERATION

Use the MANUAL AUTO operation in the event the remote control unit is lost or otherwise unavailable.



CAUTION!

Do not press the MANUAL AUTO button with wet hands or pointed objects, otherwise an electric shock or malfunction may occur.

Starting Operation

Press the MANUAL AUTO button on the operating control panel.

The operation can be set in the following setting.

Operating mode	AUTO	When Auto mode cannot be selected, it will operate in the same mode as the other indoor unit in the same system. (When other indoor unit in the same system doesn't operate, the air conditioner will operate in cooling.)
Fan speed	AUTO	
Setting temperature	23 °C	

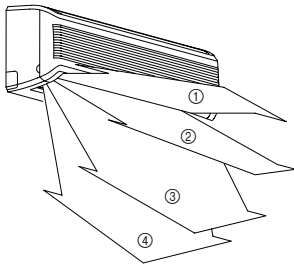
Stopping Operation

Press the MANUAL AUTO button on the operating control panel.

ADJUSTING THE DIRECTION OF AIR CIRCULATION

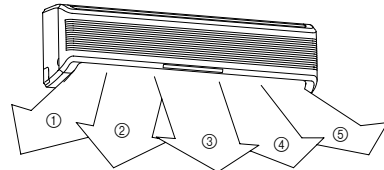
The vertical wind direction can be controlled with the control unit. The horizontal wind direction can also be controlled in the same manner.

Vertical direction



Cooling & Dry : ①, ②, ③, ④
Heating : ①, ②, ③, ④

Horizontal direction



Cooling & Dry : ①, ②, ③, ④, ⑤
Heating : ①, ②, ③, ④, ⑤

OPERATING TIPS

Operation and Performance

About priority state and standby state

- Multiple indoor units can be connected within the same system. Depending on the system, choice of operating mode are limited.

Cooling priority state	When the other indoor units within the same system operate in cooling or dry mode, heating can not be selected at the same time.
Heating priority state	When the other indoor units within the same system operate in heating mode, cooling and dry mode can not be selected at the same time.
Standby state	The standby state activates when two or more indoor units start up at the same time in different mode. Any indoor unit other than priority mode will wait in standby state until priority mode changes (operation starts as soon as priority is switched). At this time, the OPERATION indicator lamp (red) lights up and the TIMER indicator lamp (green) flashes.

Low ambient cooling

- When the outdoor temperature drops, the outdoor unit's fans may switch to Low Speed, or one of the fans may stop intermittently.

Heating performance

- Heating mode operates on the heat-pump principle, absorbing heat from outdoor air and transferring that heat indoors. As a result, the operating performance is reduced as outdoor air temperature drops. If you feel that insufficient heating performance is being produced, we recommend you use this air conditioner in conjunction with another kind of heating appliance.
- Heating mode heat your entire room by recirculating air throughout the room, with the result that some time may be required after first starting the air conditioner until the room is heated.

Microcomputer-controlled automatic defrosting

- When using the Heating mode under conditions of low outdoor air temperature high humidity, frost may form on the outdoor unit, resulting in reduced operating performance. In order to prevent this kind of reduced performance, this unit is equipped with a Microcomputer-controlled automatic defrosting function. If frost forms, the air conditioner will temporarily stop, and the defrosting circuit will operate briefly (for about 4 to 15 minutes).
During Automatic Defrosting operation, the OPERATION indicator lamp (red) will flash.

Oil recovery operation

- Periodically, the oil recovery operation is performed in order to return compressor oil to the outdoor unit.
During oil recovery operation, the OPERATION indicator lamp (red) will flash (for about 10 minutes).

Temperature and humidity range

- The temperature and humidity required for operating this product is as shown in the following table.

	Cooling/Dry Mode	Heating Mode
Outdoor temperature	Please refer to the specification of outdoor units.	
Indoor temperature	About 18 to 32°C	About 16 to 30°C
Indoor humidity	About 80% or less	

- If the air conditioner is operated under higher temperature conditions than those listed, the built-in protection circuit may operate to prevent internal circuit damage. Also, during Cooling and Dry modes, if the unit is used under conditions of lower temperature than those listed above, the heat-exchanger may freeze, leading to water leakage and other damage.
- If the unit is used for long periods under high-humidity conditions, condensation may form on the surface of the indoor unit, and drip onto the floor or other objects underneath.
- Do not use this unit for any purposes other than the Cooling, Heating, Dehumidifying, and air-circulation of rooms in ordinary dwellings.

CLEANING AND CARE



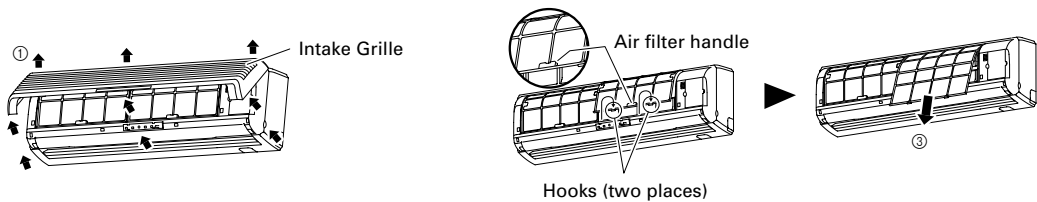
CAUTION!

- Before cleaning the unit, be sure to stop the unit and disconnect the power supply.
- Do not stand on an unstable platform when cleaning.
- When removing and replacing the air filters, be sure not to touch the heat exchanger, as personal injury may result.
- Be sure the intake grille is installed securely.
- When cleaning the unit's body, do not use water hotter than 40 °C, harsh abrasive cleansers, or volatile agents like benzene or thinner.
- If dirt is allowed to accumulate on the air filter, air flow will be reduced, lowering operating efficiency and increasing noise.
During periods of normal use, the air filters should be cleaned every two weeks.

Cleaning the intake grille and the air filter

1. Remove the intake grille and the air filter.

- ① Place your fingers at the bottom of each side of the grille panel and lift forward; if the intake grille seems to catch partway through its movement, gently continue lifting upward to remove.
- ② Lift up the grille fully and remove.
- ③ Lift up the air filter's handle, disconnect the two lower tabs, and pull out.

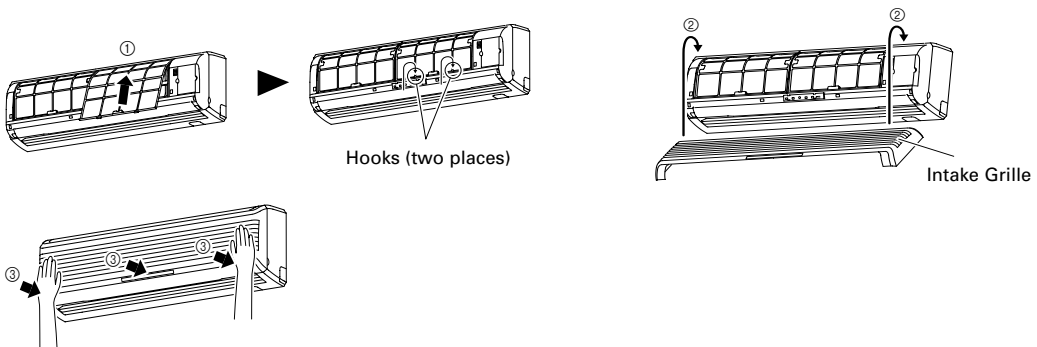


2. Cleaning

- ① Cleaning the intake grille
Remove dust with a vacuum cleaner, wash the grille with warm water, and then dry with a clean and soft cloth.
- ② Cleaning the Air filter
Remove dust with a vacuum cleaner or by washing. After washing, be sure to allow it to dry thoroughly in a shady place before reinstalling.

3. Replace the intake grille and the air filter.

- ① Align the sides of the air filter with the panel, and push in fully, making sure the two lower tabs are returned properly to their holes in the panel.
- ② Holding the intake grille horizontally, fasten the two upper hooks on the unit.
- ③ Press the intake grille down at the lower sides to close.



Cleaning the body

Wash the body with warm water, and then dry with a clean and soft cloth.

When not using for an extended period

Leave the breaker on for at least 12 hours before starting operation when it is to be used again.

TROUBLESHOOTING

The following conditions are not breakdowns or operation failures.

Symptom	Problem		See page
Doesn't operate immediately:	<ul style="list-style-type: none"> ● If the unit is stopped and then immediately started again, the compressor will not operate for about 3 minutes, in order to prevent fuse blowouts. ● Whenever the electrical breaker is turned off then on again, the protection circuit will operate for about 3 minutes, preventing unit operation during that period. 		— —
Airflow is weak or stops:	<ul style="list-style-type: none"> ● When Heating operation is started, indoor unit's fan may temporarily stop, to allow internal parts to warm up. ● During Heating operation, if the room temperature rises above the thermostat setting, the outdoor unit will stop, and the indoor unit's fan will stop. If you wish to warm the room further, set the thermostat for a higher setting. ● During oil recovery operation, the air flow may stop for approximately 10 minutes. ● During Heating operation, the unit will temporarily stop operation (between 4 and 15 minutes) as the Automatic Defrosting mode operates. ● The fan may operate at low speed during Dry operation or when the unit is monitoring the room's temperature. ● In the monitor AUTO operation, the fan will operate at low speed. 		— — 4 4 — —
Flashing lamps:	The OPERATION indicator lamp (red) flashes:	An oil recovery operation is being performed.	4
	The OPERATION indicator lamp (red) flashes:	An automatic defrosting operation is being performed.	4
	The OPERATION indicator lamp (red) and TIMER indicator lamp (green) are flashing alternately:	It has recovered from a power outage.	—
	The OPERATION indicator lamp (red) and TIMER indicator lamp (green) are flashing simultaneously:	It is operating in trial operation mode. Ask a manager as there may be maintenance being conducted.	—
	The OPERATION indicator lamp (red) lights up and the TIMER indicator lamp (green) flashes:	This is the standby state.	4
Noise is heard:	<ul style="list-style-type: none"> ● In the following conditions there are sounds of water flowing from the indoor unit and the operation sound becomes loud. These are the sounds of the flowing of refrigerant. <ul style="list-style-type: none"> When operation starts When oil recovery operation finishes When automatic defrosting operation finishes ● During operation, a slight squeaking sound may be heard. This is the result of minute expansion and contraction of the panel due to temperature changes. ● During Heating operation, a sizzling sound may be heard occasionally. This sound is produced by the Automatic Defrosting operation. 		— — 4
Smells:	<ul style="list-style-type: none"> ● Some smell may be emitted from the indoor unit. This smell is the result of room smells (furniture, tobacco, etc.) which have been taken into the air conditioner. 		—
Fog comes out of the indoor unit:	<ul style="list-style-type: none"> ● During Cooling operation, a thin mist may be seen emitted from the indoor unit. This results from the sudden Cooling of room air by the air emitted from the air conditioner, resulting in condensation and misting. 		—
Steam comes out of the indoor unit:	<ul style="list-style-type: none"> ● During Heating operation, the outdoor unit's fan may stop, and steam may be seen rising from the unit. This is due to the Automatic Defrosting operation. 		4
Water is produced from the outdoor unit:	<ul style="list-style-type: none"> ● During Heating operation, water may be produced from the outdoor unit due to the Automatic Defrosting operation. 		—

The following conditions may not be breakdowns so check again.

Symptom	Items to check	See page
Doesn't operate at all:	<ul style="list-style-type: none"> ● Has there been a power failure? ● Has a fuse blown out, or a circuit breaker been tripped? ● Is the main power switch set to the OFF position? ● Are you trying to engage in an operation different from the priority state? ● Is it in standby state? 	— — — 4 4
The operation mode cannot be changed:	<ul style="list-style-type: none"> ● Are you trying to change to an operation different from the priority conditions? 	4
Poor Cooling (or Heating) performance:	<ul style="list-style-type: none"> ● Did you adjust the room temperature settings (thermostat) correctly? ● Is the air filter dirty? ● Are the air conditioner's inlet port or outlet port blocked? ● Is there a window or door open? ● In the case of Cooling operation, is a window allowing bright sunlight to enter? (Close the curtains.) ● In the case of Cooling operation, are there heating apparatus and computers inside the room, or are there too many people in the room? ● Is the fan speed set to low? 	— 5 — — — — —

In the following situations stop operation immediately and get in touch with authorized service personnel.

- The problem cannot be solved even when the troubleshooting checks have been performed.
- The OPERATION indicator lamp (red) is flashing very fast.
- The wired remote controller or simple remote controller indicate EE (when connected).
- It has burning smell.

SPECIFICATIONS

MODEL		AS□A18L	AS□A24L	AS□A30L
POWER SOURCE		230 V~50 Hz		
AVAILABLE VOLTAGE RANGE		198 to 264 V		
COOLING CAPACITY	[kW]	5.40	6.90	8.00
HEATING CAPACITY	[kW]	5.60	7.80	8.80
DIMENSIONS & WEIGHT				
	HEIGHT	[mm]	320	
	WIDTH	[mm]	1,120	
	DEPTH	[mm]	220	
	WEIGHT	[kg]	16	



- Acoustic Noise Information : The maximum sound pressure level is less than 70 dB (A) for both indoor unit and outdoor unit.
According to IEC 704-1 and ISO 3744.

INHALTSVERZEICHNIS

VORSICHTSMASSNAHMEN	1	HINWEISE ZUM BETRIEB	4
BEZEICHNUNG DER TEILE	2	PFLEGE UND INSTANDHALTUNG	5
AUTOMATISCHE UMSCHALTUNG	3	FEHLERSUCHE	7
EINSTELLEN DER LUFTSTROMRICHTUNG	3	SPEZIFIKATIONEN	8

VORSICHTSMASSNAHMEN

- Vor Inbetriebnahme der Geräte lesen Sie bitte den Abschnitt "Vorsichtsmaßnahmen" sorgfältig durch.
- Alle Anleitungen in diesem Abschnitt beziehen sich auf Sicherheit und garantiert sichere Bedienungsbedingungen.
- "WARNUNG" und "VORSICHT" haben im Rahmen dieser Anweisungen folgende Bedeutung:

 WARNUNG!	Dieser Hinweis weist auf eine Gefahr hin oder auf eine unsachgemäße Handhabung, wodurch eine Verletzung oder Lebensgefahr bestehen kann.
 VORSICHT!	Dieser Hinweis weist auf eine Gefahr hin oder unsachgemäßen Betrieb, der zu Verletzungen, Beschädigungen und Sachschaden führen kann.

VORSICHTSMASSNAHMEN FÜR DEN GEBRAUCH

WARNUNG!

- Halten Sie sich nicht länger im direkten Zug der Klimaanlage auf.
- Stecken Sie weder Finger noch andere Gegenstände in den Luftauslaß oder in den Lufteinlaß.
- Starten und stoppen Sie die Klimaanlage nicht durch Ein- bzw. Ausstöpseln des Steckers.
- Wenn das Stromkabel dieser Anwendung beschädigt ist, darf es nur durch autorisiertes Servicepersonal ersetzt werden, weil dazu besonderes Werkzeug und das vorgegebene Kabel erforderlich sind.
- Sollte Kühlmittel auslaufen, löschen Sie alle offenen Flammen, lüften Sie den Raum und wenden Sie sich an autorisiertes Servicepersonal.

VORSICHT!

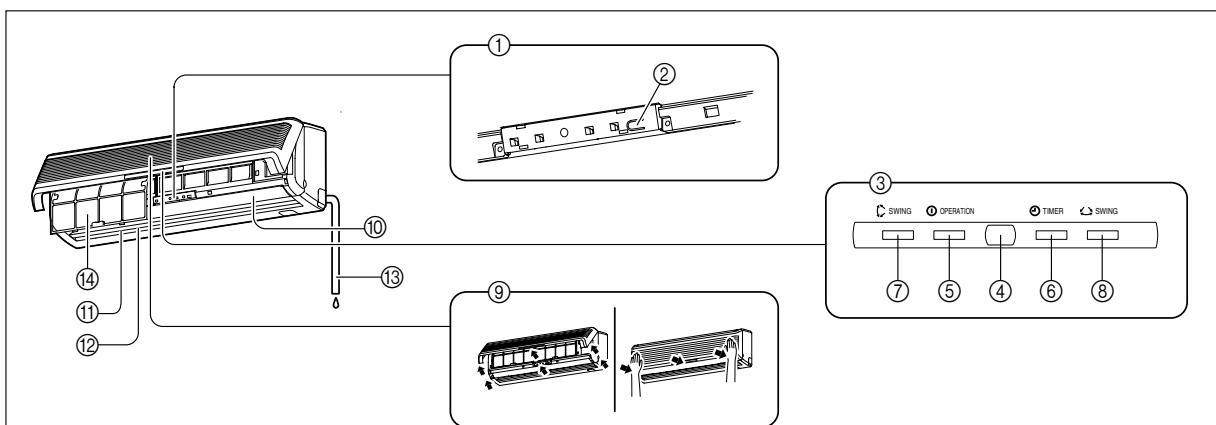
- Sorgen Sie beim Betrieb für ausreichende Belüftung.
- Nicht im Zusammenhang mit der Lagerung von Lebensmitteln, Präzisionsgeräten oder Kunstwerken nutzen.
- Halten Sie Haustiere und Pflanzen nicht im direkten Luftstrom.
- Leiten Sie den Luftstrom nicht auf eine Feuerstelle oder ein Heizgerät.
- Der Luftein- und -auslass darf nicht blockiert werden.
- Steigen Sie nicht auf das Klimagerät und stellen Sie keine Gegenstände auf dem Gerät ab.
- Stellen Sie keine Blumenvasen oder Flüssigkeiten enthaltende Behälter auf das Klimagerät.
- Hängen Sie keine Gegenstände am Innengerät auf.
- Stellen Sie nichts unter das Innengerät, was nicht nass werden darf.
- Beim Reinigen der Klimaanlage oder Auswechseln des Luftfilters stets Trennschalter ausschalten.
- Verschütten Sie keine Flüssigkeiten auf das Klimagerät.
- Berühren Sie das Klimagerät beim Betrieb nicht mit nassen Händen.
- Überprüfen Sie das Gerät in regelmäßigen Abständen auf einwandfreie Installation.
- Betreiben Sie das Klimagerät nie ohne Luftfilter.
- Trinken Sie nicht das aus dem Klimagerät ablaufende Wasser.
- Die Kühlrippen dürfen keinem starken Druck ausgesetzt werden.
- Verwenden Sie keine zündfähigen Gase in der Nähe des Klimagerätes.
- Die Röhren während des Betriebs nicht berühren.
- Achten Sie darauf, daß sich elektronische Geräte in einem Abstand von mindestens einem Meter von jedem der Innen- und Außengeräte befinden.

VORSICHTSMASSNAHMEN FÜR DIE INSTALLATION

VORSICHT!

- Versuchen Sie auf keinen Fall, dieses Klimagerät selbst zu installieren.
- Dieses Gerät enthält keine Teile, die vom Benutzer gewartet werden können. Überlassen Sie sämtliche Reparaturarbeiten qualifiziertem Kundendienstpersonal.
- Bei einem Umzug sind die erforderlichen Demontage- und Neuinstallationsarbeiten von einem qualifizierten Montagetechniker auszuführen.
- Das Gerät muss geerdet werden.
- Sorgen Sie für einen angemessenen Wasserabfluss.
- Vermeiden Sie eine Installation des Klimagerätes in der Nähe eines Kamins oder anderen Heizgerätes.
- Beim Installieren der Innen- oder Außeneinheiten darauf achten, dass Kleinkinder keinen Zugang haben.

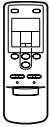
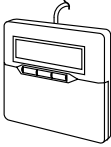

BEZEICHNUNG DER TEILE



- ① **Bedienungsfeld**
- ② **Taste für automatische Umschaltung (MANUAL AUTO)**
- ③ **Anzeigelampen**
- ④ **Fernbedienungs-Signalempfänger**
- ⑤ **Betriebslampe (OPERATION) (rot)**
- ⑥ **TIMER-Lampe (grün)**
- ⑦ **Lampe für automatische Luftleitlamellen-Führung vertikal (SWING) (orangefarben)**
- ⑧ **Lampe für automatische Luftleitlamellen-Führung horizontal (SWING) (orangefarben)**

- ⑨ **Einlaßgitter**
- ⑩ **Vertikale Luftleitlamellen (HERAUF/UNTEN)**
- ⑪ **Beweglicher Luftverteiler**
- ⑫ **Horizontale Luftleitlamellen (RECHT/LINK) (hinter den vertikalen Luftleitlamellen)**
- ⑬ **Ablaßschlauch**
- ⑭ **Luftfilter**

Schutzschalter
 Dieser Schutzschalter wird während der elektrischen Installation eingebaut.

Bediengerät (whalfei)		
Kabellose Fernbedienung	Fernbedienung ohne Kabel	Einfache Fernbedienung
		
Für den Betrieb schlagen Sie bitte in der jeweiligen Bedienungsanleitung des Gerätes nach.		

AUTOMATISCHE UMSCHALTUNG

Die Taste für automatische umschaltung (MANUAL AUTO) kann für vorübergehenden Betrieb des Gerätes mit automatischer Umschaltung verwendet werden, wenn die Fernbedienung nicht zur Verfügung steht.



Die Taste für automatische umschaltung (MANUAL AUTO) nicht mit feuchten Händen oder spitzen Gegenständen betätigen, da Nichtbeachtung einen Stromschlag oder Fehlfunktionen zur Folge haben kann.

Den Betrieb starten

Drücken Sie die Taste für automatische umschaltung (MANUAL AUTO) auf dem Bedienungs-feld.

Der Betrieb kann wie folgt eingestellt werden.

Betriebsmodus	AUTO	Wenn sich der automatische Betrieb (Auto) nicht einstellen lässt, läuft das Gerät im gleichen Modus wie das andere Innengerät im gleichen System. (Wenn das andere Innengerät im gleichen System nicht läuft, funktioniert die Klimaanlage im Kühlbetrieb.)
Gebäsedrehzahl	AUTO	
Temperatureinstellung	23 °C	

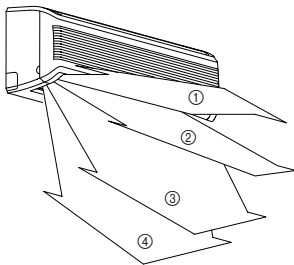
Den Betrieb stoppen

Drücken Sie die Taste für automatische umschaltung (MANUAL AUTO) auf dem Bedienungs-feld.

EINSTELLEN DER LUFTSTROMRICHTUNG

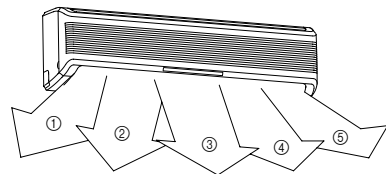
Die vertikale Luftrichtung lässt sich mit dem Bediengerät steuern. Das Gleiche gilt für die horizontale Luftrichtung.

Vertikale Richtung



Kühlen, Entfeuchten : ①, ②, ③, ④
Heizen : ①, ②, ③, ④

Horizontale Richtung



Kühlen, Entfeuchten : ①, ②, ③, ④, ⑤
Heizen : ①, ②, ③, ④, ⑤

HINWEISE ZUM BETRIEB

Betrieb und Leistung

Über den Vorrang- und den Standby-Zustand

- Innerhalb eines Systems lassen sich mehrere Innengeräte anschließen. Je nach System ist die Auswahl der Betriebsarten eingeschränkt.

Zustand Vorrang Kühlen	Wenn die anderen Innengeräte des gleichen Systems kühlen oder entfeuchten, kann nicht gleichzeitig die Heizfunktion eingestellt werden.
Zustand Vorrang Heizen	Wenn die anderen Innengeräte des gleichen Systems heizen, kann nicht gleichzeitig die Kühl- und Entfeuchterfunktion eingestellt werden.
Standby-Zustand	Das System geht dann in den Standby-Zustand, wenn zwei oder mehr Innengeräte gleichzeitig in unterschiedlichen Betriebsmodi angehen. Alle Innengeräte, die nicht im vorrangigen Modus laufen, warten im Standby-Zustand, bis der vorrangige Modus wechselt (der Betrieb startet, sobald der Vorrang umgeschaltet wird). Dann geht die Betriebslampe (OPERATION) (rot) an, und die TIMER-Lampe (grün) fängt an zu blinken.

Kühlen bei niedriger Umgebungstemperatur

- Wenn die Außentemperatur abfällt, können die Gebläse der Außenanlage auf niedrige Drehzahl umschalten oder kann eines der Gebläse von Zeit zu Zeit gestoppt werden.

Heizleistung

- Der Heizbetrieb funktioniert nach dem Heizpumpenprinzip, d.h. dass der Außenluft Wärme entzogen und nach innen geleitet wird. Aus diesem Grund nimmt die Heizleistung bei fallenden Außentemperaturen ab. Falls das Klimagerät keine ausreichende Beheizung des Raumes liefert, wird empfohlen, es in Kombination mit einem anderen Heizgerät zu betreiben.
- Im Heizbetrieb wird der gesamte Raum durch Warmluft-Umwälzung geheizt. Dadurch dauert es nach dem ersten Einschalten eine Zeit, bis der Raum warm ist.

Mikroprozessorgesteuerte Entfrost-Automatik

- Bei niedriger Außentemperatur in Verbindung mit hoher Luftfeuchtigkeit kann sich beim Heizbetrieb Frost am Außengerät bilden, wodurch die Heizleistung reduziert wird. Der eingebaute Mikroprozessor des Klimagerätes überwacht diesen Zustand und aktiviert ggf. die Entfrost-Funktion. Dies bewirkt eine vorübergehende Unterbrechung des Heizbetriebs (ca. 4–15 Minuten lang).

Während des automatischen Entfrostzyklus blinkt die Betriebslampe (OPERATION) (rot).

Wiederherstellung der Ölversorgung

- In regelmäßigen Abständen wird eine Wiederherstellung der Ölversorgung durchgeführt, damit das Außengerät wieder mit Kompressoröl versorgt wird. Während der Wiederherstellung der Ölversorgung blinken die Betriebslampe (OPERATION) (rot) (ca. 10 Minuten lang).

Temperatur- und Feuchtigkeitsbereiche

- Die erforderliche Temperatur und Feuchtigkeit für den Betrieb dieses Produktes ist der folgenden Tabelle zu entnehmen.

	Kühlen/Entfeuchten	Heizen
Außentemperatur	Vgl. die Spezifikation der Außengeräte.	
Raumtemperatur	Ca. 18 bis 32 °C	Ca. 16 bis 30 °C
Luftfeuchtigkeit im Raum	Ca. 80 % rel. Feuchte oder weniger	

- Wird das Klimagerät bei höheren als den hier angegebenen Temperaturen betrieben, so tritt u. U. die automatische Schutzschaltung in Funktion, wodurch der Betrieb unterbrochen wird. Beim Kühlen und Entfeuchten bei niedrigeren als den hier angegebenen Temperaturen kann es vorkommen, daß der Wärmetauscher vereist, was zu einem Auslaufen von Wasser oder anderen Störungen führen könnte.
- Bei längerem Betrieb des Gerätes unter Bedingungen hoher Luftfeuchtigkeit kann sich Kondenswasser auf den Außenflächen des Innengerätes bilden und auf den Boden bzw. auf Gegenstände unter dem Innengerät tropfen.
- Benutzen Sie dieses Gerät nicht für andere Zwecke als zum Kühlen, Heizen, Entfeuchten und zur Luftumwälzung von Räumen in gewöhnlichen Wohnungen.

PFLEGE UND INSTANDHALTUNG



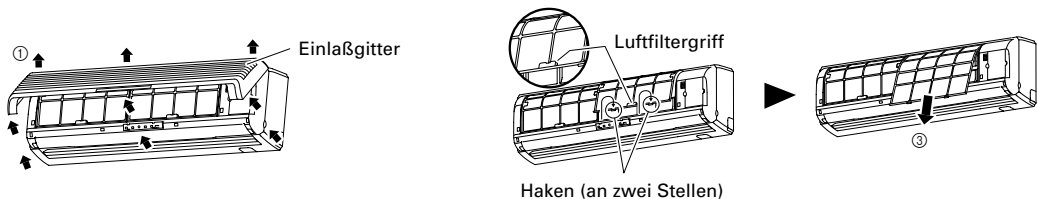
VORSICHT!

- Achten Sie vor dem Reinigen des Klimageräts darauf, das Gerät auszuschalten und vom Netz zu trennen.
- Stellen Sie sich beim Reinigen nicht auf eine instabile Fläche.
- Achten Sie beim Entfernen und Auswechseln der Luftfilter darauf, den Wärmetauscher nicht zu berühren, um Verletzungen zu vermeiden.
- Vergewissern Sie sich, daß das Einlaßgitter fest angebracht ist.
- Verwenden Sie zum Reinigen des Klimagerätes kein Wasser mit einer Temperatur von mehr als 40 °C, keine Reinigungsmittel mit Schleifwirkung und keine leicht flüchtigen Chemikalien wie Benzin und Farbverdünner.
- Falls sich Schmutz im Luftfilter ansammelt, wird der Luftstrom reduziert, die Geräteleistung beeinträchtigt und das Betriebsgeräusch verstärkt.
Bei normalem Betrieb sollte der Luftfilter alle zwei Wochen gereinigt werden.

Reinigung des Einlaßgitters und des Luftfilters

1. Nehmen Sie das Einlaßgitter und den Luftfilter heraus.

- ① Legen Sie Ihre Finger an die beiden unteren Ecken des Einlaßgitters und klappen Sie es auf. Bleibt das Einlaßgitter während des Abnehmens hängen, klappen Sie es weiter auf, um es zu entfernen.
- ② Klappen Sie das Gitter auf und nehmen Sie es heraus.
- ③ Halten Sie den Luftfilter am Griff. Heben Sie ihn leicht an, um die zwei unteren Haltetaschen freizugeben, und ziehen Sie den Filter heraus.

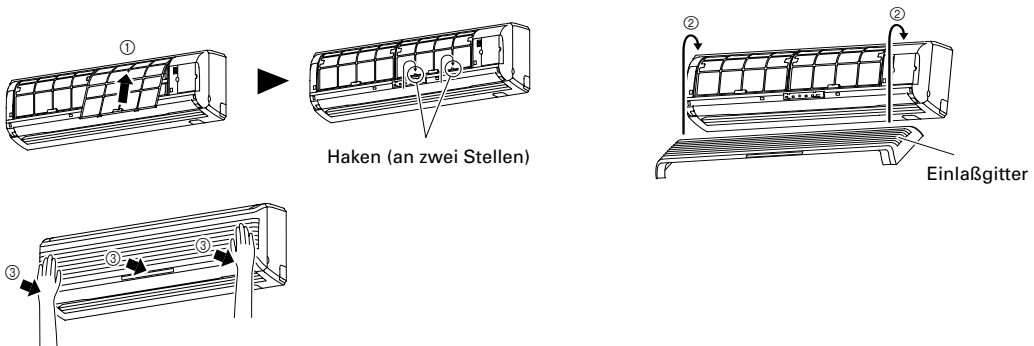


2. Reinigung

- ① Reinigung des Einlaßgitters
Entfernen Sie den Staub mit einem Staubsauger, waschen Sie das Gitter mit warmem Wasser ab und trocknen Sie es dann mit einem sauberen, weichen Tuch.
- ② Reinigung des Filters
Entfernen Sie den Staub mit einem Staubsauger oder durch Waschen. Lassen Sie den Filter vor dem erneuten Einbau gründlich an einem schattigen Ort trocknen.

3. Bauen Sie das Einlaßgitter und den Luftfilter wieder ein.

- ① Richten Sie den Luftfilter auf die Frontplatte aus und drücken Sie ihn vorsichtig bis zum Anschlag ein. Achten Sie dabei darauf, daß die zwei unteren Haltetaschen in ihrer Ausgangsstellung am Rahmen einrasten.
- ② Halten Sie das Einlaßgitter waagrecht und hängen Sie es in die zwei Haken an der Oberseite des Innengerätes ein.
- ③ Klappen Sie das Einlaßgitter nach dem Einsetzen herunter, bis es einrastet.



Reinigung des Klimageräts

Waschen Sie das Gerät mit warmem Wasser ab und trocknen Sie es anschließend mit einem sauberen, weichen Tuch.

Wenn das Gerät länger nicht genutzt wurde

Lassen Sie den Unterbrecher mindestens 12 Stunden vor dem Betrieb an, bevor Sie das Gerät wieder nutzen.

FEHLERSUCHE

Folgende Bedingungen stellen keine Defekte oder Betriebsstörungen dar.

Fehler	Ursache		Siehe seite
Gerät arbeitet nicht sofort:	<ul style="list-style-type: none"> ● Wird das Gerät aus- und sofort wieder eingeschaltet, so arbeitet der Kompressor ca. 3 Minuten lang nicht, um ein Durchbrennen der Sicherung zu verhindern. ● Jedesmal, wenn der Netzschalter aus- und wieder eingeschaltet ist, erfolgt 3 Minuten lang eine Schutzschaltung. Während dieser Zeit kann die Anlage nicht betrieben werden. 		— —
Der Luftstrom ist schwach oder stoppt:	<ul style="list-style-type: none"> ● Beim Starten des Heizbetriebs schaltet das Gebläse vorübergehend auf eine sehr niedrige Drehzahl, damit sich die Bauteile im Geräteinneren ausreichend erwärmen können. ● Wenn die Raumtemperatur im Heizbetrieb die Thermostateinstellung überschreitet, stoppt das Außengerät, und das Gebläse des Innengerätes schaltet sich ab. Stellen Sie den Thermostaten auf eine höhere Temperatur ein, falls Sie den Raum stärker heizen wollen. ● Während der Wiederherstellung der Ölversorgung kann der Luftstrom ca. 10 Minuten unterbrochen werden. ● Beim Heizen stoppt das Klimagerät (ca. 4–15 Minuten lang), während die automatische Entfrosthfunktion aktiviert ist. ● Beim Entfeuchten und während der Überwachung der Raumtemperatur arbeitet das Gebläse u.U. mit niedriger Drehzahl. ● Bei automatischer Überwachung (AUTO) arbeitet das Gebläse u.U. mit niedriger Drehzahl. 		— — 4 4 — —
Blinkende Leuchten:	Die Betriebslampe (OPERATION) (rot) blinkt:	Die Ölversorgung wird wiederhergestellt.	4
	Die Betriebslampe (OPERATION) (rot) blinkt:	Das Gerät wird gerade automatisch entfrosten.	4
	Die Betriebslampe (OPERATION) (rot) und die TIMER-Lampe (grün) blinken abwechselnd:	Das Gerät stellt sich nach einem Stromausfall wieder ein.	—
	Die Betriebslampe (OPERATION) (rot) und die TIMER-Lampe (grün) blinken gleichzeitig:	Das Gerät läuft im Versuchsmodus. Fragen Sie einen Vorgesetzten, ob das Gerät evtl. gerade gewartet wird.	—
	Die Betriebslampe (OPERATION) (rot) geht an, und die TIMER-Lampe (grün) fängt an zu blinken:	Es handelt sich um den Standby-Zustand.	4
Es sind Geräusche zu hören:	<ul style="list-style-type: none"> ● Unter folgenden Bedingungen kommen Wassergeräusche aus dem Innengerät und das Betriebsgeräusch wird laut. Es handelt sich um das Fließen der Kühlflüssigkeit. Wenn der Betrieb startet, Wenn die Wiederherstellung der Ölversorgung beendet ist, Wenn das automatische Entfrosten beendet ist, ● Während des Betriebs ertönt u. U. ein leises Quietschgeräusch. Dies ist auf winzige Dehnungen und Schrumpfungen des Paneels aufgrund von Temperaturänderungen zurückzuführen. ● Während des Heizbetriebs kann gelegentlich ein zischendes Geräusch zu hören sein. Dieses Geräusch wird durch den Betrieb des automatischen Entfrosters verursacht. 		— — 4
Anomaler Geruch:	<ul style="list-style-type: none"> ● Das Innengerät gibt u.U. Gerüche ab, die aus der Raumluft (Möbel, Zigarettenrauch usw.) in das Innere des Klimagerätes gelangt sind. 		—
Nebel kommt aus dem Innengerät:	<ul style="list-style-type: none"> ● Beim Kühlen dringt u. U. leichter Dampf aus dem Innengerät. Dies ist auf die plötzliche Abkühlung der Raumluft durch die vom Klimagerät abgegebene Luft zurückzuführen, so daß es zu Kondenswasser- und Dampfbildung kommt. 		—
Dampf kommt aus dem Innengerät:	<ul style="list-style-type: none"> ● Während des Heizbetriebs kann das Gebläse der Außeneinheit stoppen und Dampf aus der Einheit entweichen. Das wird durch den automatischen Entfroster hervorgerufen. 		4
Wasser läuft aus dem Außengerät:	<ul style="list-style-type: none"> ● Während des Heizbetriebs kann sich in der Außeneinheit aufgrund des automatischen Entfrosterbetriebs Wasser bilden. 		—

Folgende Bedingungen müssen keine Defekte darstellen und sind daher erneut zu prüfen.

Fehler	Prüfpunkte	Siehe seite
Kein Betrieb:	<ul style="list-style-type: none"> ● Ist ein Netzausfall aufgetreten? ● Ist eine Sicherung durchgebrannt, oder wurde ein Unterbrecher ausgelöst? ● Befindet sich der Hauptschalter in der Position: "AUS"? ● Versuchen Sie, in einen anderen als den vorrangigen Betriebsmodus zu schalten? ● In den Standby-Zustand? 	— — — 4 4
Der Betriebsmodus lässt sich nicht wechseln:	<ul style="list-style-type: none"> ● Versuchen Sie, in auf einen anderen als den vorrangigen Betriebsmodus umzuschalten? 	4
schlechte Kühl- oder Heizleistung:	<ul style="list-style-type: none"> ● Ist die gewünschte Raumtemperatur (der Thermostat) korrekt eingestellt worden? ● Ist der Luftfilter verschmutzt? ● Ist der Luftein- oder -auslass des Klimageräts blockiert? ● Steht ein Fenster oder eine Tür offen? ● Dringt beim Kühlen starkes Sonnenlicht durch ein Fenster in den Raum? (Vorhänge schließen.) ● Ist beim Kühlen gleichzeitig ein Heizgerät oder ein PC im Raum eingeschaltet, oder befinden sich viele Personen im Raum? ● Steht das Gebläse auf langsamer Geschwindigkeit? 	— 5 — — — — —

In folgenden Situationen muss der Betrieb sofort unterbrochen und ein autorisierter Kundendienst zu Rate gezogen werden.

- Das Problem lässt sich auch nach den entsprechenden Prüfungen nicht lösen.
- Die Betriebslampe (OPERATION) (rot) blinkt sehr schnell:
- Die Fernbedienung mit Kabel bzw. die einfache Fernbedienung geben "EE" an (bei Anschluss).
- Es riecht verbrannt.

SPEZIFIKATIONEN

MODELL		AS□A18L	AS□A24L	AS□A30L
STROMQUELLE		230 V~50 Hz		
VERFÜGBARE SPANNUNGSSPANNE		198 bis 264 V		
KÜHLEN	[kW]	5,40	6,90	8,00
HEIZEN	[kW]	5,60	7,80	8,80
ABMESSUNGEN UND NETTOGEWICHT				
	HÖHE	[mm]	320	
	BREITE	[mm]	1.120	
	TIEFE	[mm]	220	
	GEWICHT	[kg]	16	



- Der maximale Schalldruckpegel beträgt beim Innen- und Außengerät geringer als 70 dB (A).
Diese Geräte erfüllen die Normen IEC 704-1 und ISO 3744.

SOMMAIRE

PRÉCAUTIONS DE SÉCURITÉ	1	CONSEILS D'UTILISATION	4
NOMENCLATURE DES ORGANES	2	NETTOYAGE ET ENTRETIEN	5
FONCTIONNEMENT		GUIDE DE DÉPANNAGE	7
MANUEL-AUTOMATIQUE	3	FICHE TECHNIQUE	8
RÉGLAGE DE LA DIRECTION DU FLUX D'AIR	3		

PRÉCAUTIONS DE SÉCURITÉ

- Avant d'utiliser cet appareil, veuillez lire attentivement ces "Précautions" et les respecter correctement.
- Les instructions contenues dans la présente section sont toutes liées à la sécurité car vous devez maintenir des conditions de fonctionnement sûres.
- Les symboles "AVERTISSEMENT" et "ATTENTION" ont le sens suivant dans ce manuel:

 AVERTISSEMENT!	Ce symbole signale une démarche qui, si elle est exécutée de façon incorrecte, peut entraîner une sérieuse blessure, voir la mort de l'utilisateur.
 ATTENTION!	Ce symbole signale une démarche qui, si elle est exécutée de façon incorrecte, peut entraîner un dégât pour l'utilisateur ou ses biens.

PRECAUTIONS DE SECURITE

AVERTISSEMENT!

- Veillez à ne pas rester trop longtemps directement exposé au flux d'air produite par le climatiseur.
- N'introduisez pas vos doigts ou des objets dans l'orifice de sortie ou la grille d'admission d'air.
- N'allumez pas le climatiseur ou ne l'éteignez pas en débranchant le cordon d'alimentation.
- Si le cordon d'alimentation de cet appareil est endommagé, il doit être remplacé par un centre de réparation agréé uniquement, dans la mesure où des outils et un cordon spécifiques sont nécessaires.
- En cas de fuite de frigorigène, éteignez les flammes, aérez la pièce et appelez un centre de réparation agréé.

ATTENTION!

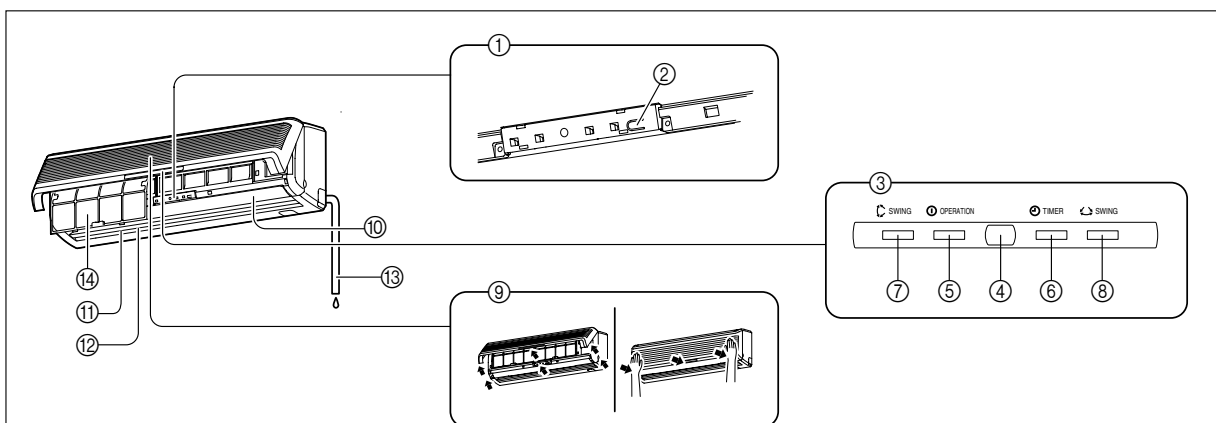
- Assurez une ventilation régulière pendant le fonctionnement de l'appareil.
- N'utilisez pas l'appareil à proximité d'aliments entreposés, d'instruments de précision ou d'objets d'art.
- Ne placez pas des animaux ou des plantes directement dans le courant d'air de l'appareil.
- Ne dirigez pas le flux d'air vers un feu ouvert ou vers un appareil de chauffage.
- N'obstruez pas ou ne couvrez pas l'orifice d'admission ni l'orifice de sortie.
- Ne grimpez pas sur le climatiseur et ne déposez pas d'objets sur celui-ci.
- Ne déposez pas de vase de fleurs ou de récipient contenant de l'eau sur un climatiseur.
- Ne suspendez pas d'objets à l'appareil intérieur.
- Ne placez aucun objet sous l'appareil intérieur qui doit rester sec.
- Toujours couper l'alimentation électrique lors du nettoyage du climatiseur et lors du changement du filtre à air.
- N'exposez pas directement le climatiseur à de l'eau.
- N'utilisez pas le climatiseur avec des mains humides.
- Vérifiez si le support d'installation est en bon état.
- Ne faites jamais fonctionner l'appareil sans ses filtres à air.
- Ne buvez pas l'eau de vidange du climatiseur.
- N'appliquez aucune forte pression sur les ailettes du radiateur.
- N'utilisez pas de gaz inflammables à proximité du climatiseur.
- Ne touchez pas les canalisations pendant le fonctionnement.
- Veillez à tenir tout équipement électronique à un mètre au moins des appareils intérieur et extérieur.

PRECAUTIONS D'INSTALLATION

ATTENTION!

- N'essayez pas d'installer vous-même ce climatiseur.
- Cet appareil ne renferme aucune pièce réparable par l'utilisateur. Confiez votre appareil à un centre de réparation agréé pour toute réparation.
- En cas de déménagement, faites appel à votre centre de réparation agréé pour le débranchement et l'installation de l'appareil.
- L'appareil doit être mis à la terre.
- Veillez à ce que le système de vidange soit en place.
- Évitez d'installer le climatiseur près d'un feu ouvert ou d'autres équipements de chauffage.
- Lorsque vous installez les unités d'intérieur et d'extérieur, veillez à ce qu'elles soient hors de portée des enfants.

NOMENCLATURE DES ORGANES



- ① **Panneau de contrôle de fonctionnement**
- ② **Bouton manuel-automatique (MANUAL AUTO)**


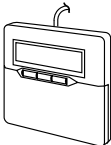

- ③ **Voyants**
- ④ **Récepteur du signal de télécommande**
- ⑤ **Voyant rouge de fonctionnement (OPERATION)**
- ⑥ **Voyant vert de minuterie (TIMER)**
- ⑦ **Voyant orange d'oscillation (SWING) (OSCILLATION VERTICALE)**
- ⑧ **Voyant orange d'oscillation (SWING) (OSCILLATION HORIZONTALE)**

- ⑨ **Grille d'admission**
- ⑩ **Volets de direction verticale du flux d'air haut/bas**
- ⑪ **Diffuseur mobile**
- ⑫ **Volets de direction horizontale du flux d'air gauche/droite (derrière les clapets de direction verticale du flux d'air)**
- ⑬ **Tuyau de vidange**
- ⑭ **Filtre à air**

Disjoncteur électrique

Ce disjoncteur est placé pendant l'installation électrique.

Télécommande (facultative)

Télécommande sans fil	Télécommande câblée	Télécommande simple
		

Pour la méthode de fonctionnement, veuillez vous référer au manuel d'utilisation livré avec chaque dispositif.

FONCTIONNEMENT MANUEL-AUTOMATIQUE

Sélectionnez le mode de fonctionnement manuel-automatique (MANUAL AUTO) si la télécommande est inutilisable ou si elle n'est pas disponible.



ATTENTION!

Afin d'éviter tout choc électrique ou mauvais fonctionnement, n'appuyez pas sur la touche bouton manuel-automatique (MANUAL AUTO) avec des mains humides ou des objets pointus.

Démarrage

Appuyez sur le bouton manuel-automatique (MANUAL AUTO) sur le panneau de contrôle de fonctionnement.

Le fonctionnement peut être réglé comme suit.

Mode de fonctionnement	AUTO	Lorsque le mode automatique (AUTO) ne peut pas être sélectionné, l'appareil va fonctionner dans le même mode que l'appareil intérieur du même système. (Lorsque l'autre appareil intérieur dans le même système ne fonctionne pas, le climatiseur fonctionne en mode Refroidissement.)
Vitesse de ventilation	AUTO	
Température programmée	23 °C	

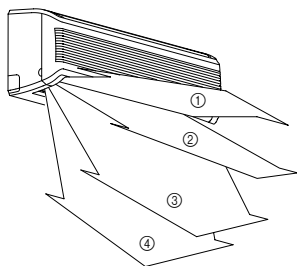
Arrêt

Appuyez sur le bouton manuel-automatique (MANUAL AUTO) sur le panneau de contrôle de fonctionnement.

RÉGLAGE DE LA DIRECTION DU FLUX D'AIR

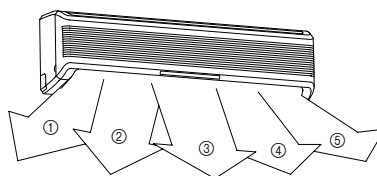
La direction verticale du flux d'air peut être contrôlée à l'aide de la télécommande, comme peut l'être la direction horizontale du flux.

Direction verticale



Refroidissement/Déshumidification : ①, ②, ③, ④
Chauffage : ①, ②, ③, ④

Direction horizontale



Refroidissement/Déshumidification : ①, ②, ③, ④, ⑤
Chauffage : ①, ②, ③, ④, ⑤

CONSEILS D'UTILISATION

Fonctionnement et performances

Au sujet de l'état de priorité et de l'état d'attente

- De multiples appareils intérieurs peuvent être connectés au sein du même système. Selon le système en question, les choix en matière de mode de fonctionnement sont limités.

Etat de priorité refroidissement	Lorsque les autres appareils intérieurs au sein du même système fonctionnent en mode refroidissement ou déshumidification, le mode chauffage ne peut pas être sélectionné simultanément.
Etat de priorité chauffage	Lorsque les autres appareils intérieurs au sein du même système fonctionnent en mode refroidissement, les modes refroidissement ou déshumidification ne peuvent pas être sélectionnés simultanément.
Etat d'attente	L'état d'attente est activé lorsque deux appareils intérieurs ou plus démarrent au même moment en modes différents. Tout appareil intérieur en mode autre que le mode de priorité va attendre jusqu'au changement de l'état de priorité (le fonctionnement démarre dès que la priorité change). A ce moment-là, le voyant rouge de fonctionnement (OPERATION) s'allume et le voyant vert de minuterie (TIMER) clignote.

Rafraîchissement ambiant peu élevé

- Lorsque la température extérieure baisse, il se peut que le ventilateur de l'appareil extérieur passe en vitesse Basse.

Performance de chauffage

- Le mode chauffage fonctionne sur le principe de la pompe à chaleur, absorbant la chaleur de l'air extérieur et la transférant à l'intérieur. Par conséquent, les performances diminuent au fur et à mesure que la température extérieure diminue. Si vous trouvez que les performances du climatiseur ne sont pas suffisantes, recourez à un appareil d'appoint.
- Le mode chauffage chauffe toute la pièce en recirculant l'air dans la pièce et, de ce fait, la pièce met un certain temps à se réchauffer après le démarrage du climatiseur.

Dégivrage automatique contrôlé par microprocesseur

- En mode Chauffage, quand la température de l'air extérieur est basse et que l'humidité est élevée, du givre peut se former sur l'appareil extérieur, ce qui réduit les performances. Afin d'éviter cette perte de performance, l'appareil est équipé d'un système de dégivrage automatique contrôlé par microprocesseur. Si du givre se forme, le climatiseur s'arrête temporairement et le circuit de dégivrage agit brièvement (environ 4 à 15 minutes).
Pendant le dégivrage automatique, le voyant rouge de fonctionnement (OPERATION) clignote.

Opération de récupération de l'huile

- Régulièrement, l'opération de récupération de l'huile prend place pour renvoyer l'huile du compresseur vers l'appareil extérieur.
Pendant qu'elle a lieu, le voyant rouge de fonctionnement (OPERATION) clignotent (environ 10 minutes).

Plage de température et d'humidité

- La température et l'humidité nécessaires au fonctionnement de ce produit sont données dans le tableau suivant.

	Mode Refroidissement et Déshumidification	Mode Chauffage
Température extérieure	Veuillez vous référer à la fiche technique des appareils extérieurs.	
Température intérieure	Environ 18 à 32 °C	Environ 16 à 30 °C
Humidité intérieure	Environ 80 % ou moins	

- Si les températures de fonctionnement sont supérieures à celles reprises ci-dessus, le circuit de protection incorporé peut s'activer afin de protéger les circuits internes. De plus, pendant les modes Froid et Sec, si les températures sont inférieures à celles indiquées dans le tableau, l'échangeur thermique risque de geler et de provoquer une fuite d'eau ou d'autres dégâts.
- Si l'appareil fonctionne pendant longtemps dans une pièce très humide, de la condensation peut se former sur la surface de l'appareil intérieur et s'égoutter sur le sol ou sur d'autres objets placés sous celui-ci.
- N'utilisez pas ce climatiseur à d'autres fins que le refroidissement, le chauffage, la déshumidification et la circulation de l'air de pièces d'habitations ordinaires.

NETTOYAGE ET ENTRETIEN

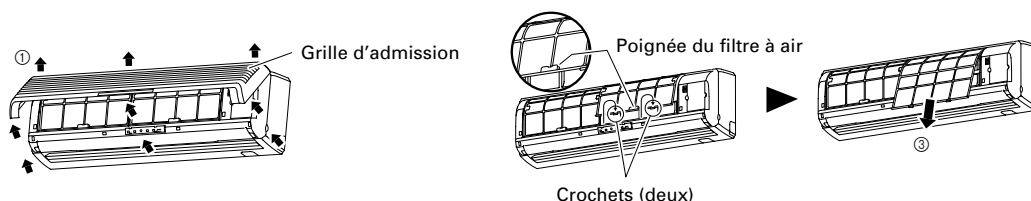
ATTENTION!

- Avant de nettoyer le climatiseur, prenez soin de l'arrêter et de déconnecter la prise d'alimentation secteur.
- Ne vous tenez pas debout sur une plateforme instable lors du nettoyage.
- Lors du retrait et du remplacement des filtres d'air, afin d'éviter toute blessure, ne touchez pas l'échangeur thermique.
- Vérifiez que la grille d'admission est fermement installée.
- Pour nettoyer le boîtier de l'appareil, utilisez une eau de 40 °C maximum, évitez les détergents abrasifs et les produits volatiles, comme le benzène ou les dissolvants.
- L'accumulation de poussière sur le filtre à air réduit le flux d'air et par conséquent l'efficacité du climatiseur et augmente le bruit.
En temps de fonctionnement normal, nettoyez le filtre à air toutes les deux semaines.

Nettoyage de la grille d'admission et du filtre à air

1. Déposez la grille d'admission et le filtre à air.

- ① Placez vos doigts de chaque côté du panneau de la grille et tirez vers l'avant. Si la grille semble accrochée à mi-parcours, continuez de la soulever afin de la retirer.
- ② Soulevez complètement la grille et retirez-la.
- ③ Soulevez la poignée du filtre à air, décrochez les deux crochets inférieurs et retirez le filtre.

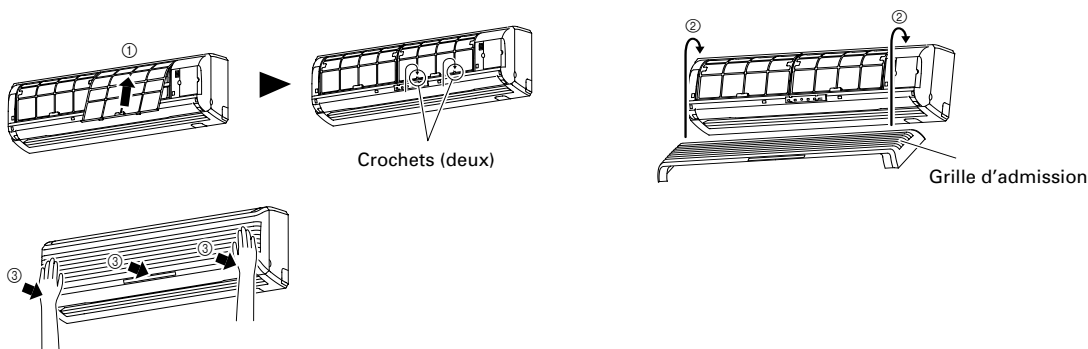


2. Nettoyage

- ① Nettoyage de la grille d'admission
Enlevez la poussière avec un aspirateur, lavez la grille à l'eau chaude, puis séchez-la à l'aide d'un chiffon doux et propre.
- ② Nettoyage du filtre à air
Enlevez la poussière avec un aspirateur ou en lavant le filtre. Après avoir lavé le filtre, veillez à le laisser sécher complètement à l'ombre avant de le réinstaller.

3. Remettez la grille d'admission et le filtre à air en place.

- ① Alignez les côtés du filtre à air et le panneau, puis enfoncez à fond en veillant à replacer correctement les deux crochets inférieurs.
- ② En maintenant la grille à l'horizontale, attachez les deux crochets supérieurs à l'appareil.
- ③ Appuyez sur les bords inférieurs de la grille d'admission pour la fixer.



Nettoyage du corps de l'appareil

Lavez le corps de l'appareil à l'eau chaude, puis séchez-le à l'aide d'un chiffon doux et propre.

Lorsque l'appareil n'est pas utilisé pendant longtemps

Laissez le disjoncteur allumé pendant au moins 12 heures avant de recommencer à faire fonctionner l'appareil.

GUIDE DE DÉPANNAGE

Les situations suivantes ne sont pas des pannes ou des problèmes de fonctionnement.

Symptôme	Problème	Voyez page	
L'appareil ne se met pas immédiatement en marche:	<ul style="list-style-type: none"> ● Si vous éteignez l'appareil, puis le remettez immédiatement en marche, le compresseur ne fonctionne pas pendant environ 3 minutes afin d'éviter que le fusible grille. ● Si vous mettez l'appareil hors tension puis que vous le remettez sous tension à l'aide du disjoncteur, le circuit de protection fonctionne pendant environ 3 minutes, empêchant tout fonctionnement de l'appareil pendant ce temps. 	— —	
Le flux d'air est faible ou nul:	<ul style="list-style-type: none"> ● À la mise en marche du chauffage, le ventilateur de l'appareil intérieur s'arrête afin de permettre aux pièces internes de chauffer. ● En mode Chauffage, quand la température de la pièce est supérieure au réglage du thermostat, l'appareil extérieur et le ventilateur de l'appareil intérieur s'arrêtent. Si vous souhaitez continuer à chauffer la pièce, réglez le thermostat sur une température plus élevée. ● Pendant la récupération de l'huile, le flux d'air peut s'arrêter pendant environ 10 minutes. ● En mode Chauffage, l'appareil cesse temporairement de fonctionner (entre 4 et 15 minutes) pendant le dégivrage automatique pendant le dégivrage automatique. ● En mode Déshumidification ou lorsque l'appareil vérifie la température de la pièce, le ventilateur fonctionne à basse vitesse. ● En mode de fonctionnement automatique (AUTO), le ventilateur fonctionne à basse vitesse. 	— — 4 4 — —	
Voyants clignotant:	Le voyant rouge de fonctionnement (OPERATION) clignote:	La récupération de l'huile est en cours.	4
	Le voyant rouge de fonctionnement (OPERATION) clignote:	Un dégivrage automatique est en cours.	4
	Le voyant rouge de fonctionnement (OPERATION) et le voyant vert de minuterie (TIMER) clignotent en alternance:	L'appareil se remet d'une coupure d'électricité.	—
	Le voyant rouge de fonctionnement (OPERATION) et le voyant vert de minuterie (TIMER) clignotent simultanément:	L'appareil fonctionne en mode essai. Demandez à un manager si une opération de maintenance est en cours.	—
	Le voyant rouge de fonctionnement (OPERATION) s'allume et le voyant vert de minuterie (TIMER) clignote:	Etat d'attente.	4
Bruits:	<ul style="list-style-type: none"> ● Dans les situations suivantes, vous allez entendre des bruits d'eau qui coule de l'appareil intérieur et le fonctionnement devient bruyant. Ces sons proviennent du liquide frigorigène. <ul style="list-style-type: none"> Au démarrage A l'issue de la récupération de l'huile A l'issue du dégivrage automatique ● Pendant le fonctionnement, un très léger craquement est parfois audible. Ceci provient de l'expansion et de la contraction imperceptibles du panneau du fait des changements de température. ● Lors de l'opération de chauffage, un grésillement peut se faire entendre de temps à autre. Ce son est produit par l'opération de dégivrage automatique. 	— — 4	
Odeurs:	<ul style="list-style-type: none"> ● Une certaine odeur est émise par l'appareil intérieur. Elle peut provenir des odeurs de la pièce (mobilier, tabac, etc.) qui ont pénétré dans l'appareil. 	—	
Du brouillard sort de l'appareil intérieur:	<ul style="list-style-type: none"> ● En mode Refroidissement, un léger brouillard peut être émis par l'appareil intérieur. Il provient du refroidissement subit de l'air ambiant par le climatiseur. 	—	
De la vapeur sort de l'appareil intérieur:	<ul style="list-style-type: none"> ● Lors de l'opération de chauffage, le ventilateur de l'unité d'extérieur peut s'arrêter et de la vapeur peut s'échapper de l'unité. Ceci est dû à l'opération de dégivrage automatique. 	4	
De l'eau sort de l'appareil extérieur:	<ul style="list-style-type: none"> ● Lors de l'opération de chauffage, l'unité d'extérieur peut rejeter de l'eau suite à l'opération de dégivrage automatique. 	—	

Attention, les situations suivantes ne sont peut-être pas des pannes.

Symptôme	Points à vérifier	Voyez page
L'appareil ne fonctionne pas du tout:	<ul style="list-style-type: none"> ● Y-a-t-il eu panne de courant? ● Le fusible a-t-il sauté ou le disjoncteur a-t-il été coupé? ● Le sélecteur POWER est-il sur la position OFF? ● Essayez-vous de passer dans un mode de fonctionnement différent de l'état de priorité? ● L'appareil est-il en état d'attente? 	— — — 4 4
Le mode de fonctionnement ne peut pas être modifié:	<ul style="list-style-type: none"> ● Essayez-vous de passer dans un mode de fonctionnement différent des conditions de priorité? 	4
Mauvaises performances de refroidissement ou de chauffage:	<ul style="list-style-type: none"> ● La température du thermostat est-elle réglée correctement? ● Le filtre à air est-il sale? ● L'orifice d'entrée ou de sortie du climatiseur est-il obstrué? ● Une porte ou une fenêtre sont-elles ouvertes? ● En mode Refroidissement, une fenêtre laisse-t-elle passer les rayons directs du soleil? (Fermez les tentures.) ● En mode Refroidissement, des appareils de chauffage ou des ordinateurs fonctionnent-ils dans la pièce? Y-a-t-il trop de monde dans la pièce? ● La vitesse du ventilateur est-elle trop basse? 	— 5 — — — — —

Dans les situations suivantes, arrêtez immédiatement le fonctionnement et contactez un centre de réparation agréé.

- Le problème ne peut pas être résolu même après les vérifications de dépannage.
- Le voyant rouge de fonctionnement (OPERATION) clignote très rapidement.
- La télécommande câblée ou simple indique EE (lorsque connectée).
- Odeur de brûlé.

FICHE TECHNIQUE

MODELE	AS□A18L	AS□A24L	AS□A30L
SOURCE D'ALIMENTATION	230 V~50 Hz		
PLAGE DE TENSION DISPONIBLE	198 à 264 V		
MODE FROID [kW]	5,40	6,90	8,00
CHAUFFAGE [kW]	5,60	7,80	8,80
DIMENSIONS ET POIDS			
HAUTEUR [mm]	320		
LARGEUR [mm]	1.120		
PRONFONDEUR [mm]	220		
POIDS [kg]	16		



- Information sur le niveau sonore : Conformément aux Normes IEC 704-1 et ISO 3744 le niveau sonore maximum émis tant par l'appareil intérieur que l'appareil extérieur ne peut dépasser 70 dB (A).

ÍNDICE

PRECAUCIONES DE SEGURIDAD	1	CONSEJOS PARA EL FUNCIONAMIENTO	4
DENOMINACIÓN DE LOS COMPONENTES	2	LIMPIEZA Y MANTENIMIENTO	5
FUNCIONAMIENTO MANUAL Y AUTOMÁTICO	3	LOCALIZACIÓN DE AVERÍAS	7
AJUSTE DE LA DIRECCIÓN DE CIRCULACIÓN DEL AIRE	3	ESPECIFICACIONES	8

PRECAUCIONES DE SEGURIDAD

- Antes de utilizar el aparato, lea todas estas "PRECAUCIONES" y realice el funcionamiento de la forma correcta.
- Las instrucciones de esta sección son sobre seguridad; asegúrese de mantener unas condiciones de funcionamiento seguras.
- Los símbolos "ADVERTENCIA" y "PRECAUCIÓN" tienen los siguientes significados en estas instrucciones:

 ¡ADVERTENCIA!	Esta marca indica los procedimientos que, de realizarse incorrectamente, pueden ocasionar la muerte o daños graves al usuario.
 ¡PRECAUCIÓN!	Esta marca indica los procedimientos que, de realizarse incorrectamente, pueden ocasionar daños personales al usuario o daños a la propiedad.

PRECAUCIONES EN EL USO

¡ADVERTENCIA!

- No se exponga por mucho tiempo a la corriente de aire directa que sale del acondicionador.
- No introduzca los dedos ni otros objetos en el orificio de salida ni en las rejillas de entrada.
- No debe poner en funcionamiento ni apagar el acondicionador de aire desconectando el enchufe de la fuente de alimentación o algo similar.
- Si el cable de alimentación está dañado, solamente puede ser reemplazado por el personal de servicio autorizado, pues se necesitan herramientas especiales y un tipo de cable específico.
- Si se produce alguna fuga del refrigerante, apague las llamas, de haber alguna, ventile la habitación y llame al personal de servicio autorizado.

¡PRECAUCIÓN!

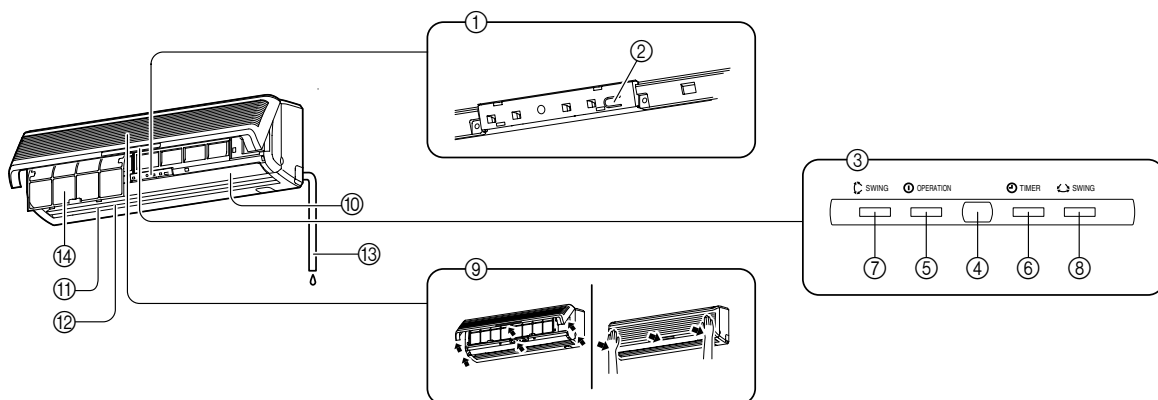
- Proporcione de vez en cuando ventilación durante el funcionamiento.
- No lo utilice en aplicaciones relacionadas con almacenaje de comestibles, equipos de precisión, ni obras de arte.
- La exposición prolongada al aire directo puede tener efectos adversos en las plantas y animales.
- No dirija el aire a hogares de fuego ni a estufas.
- No bloquee ni cubra el orificio de entrada ni el orificio de salida.
- No se suba sobre el acondicionador de aire ni ponga objetos encima.
- No ponga floreros ni recipientes de agua encima de los acondicionadores de aire.
- No cuelgue nada de la unidad interior.
- No coloque ningún objeto que no se pueda mojar debajo de la unidad interior.
- Apague siempre el disyuntor eléctrico cada vez que limpie el acondicionador de aire o el filtro de aire.
- No exponga el acondicionador de aire directamente al agua.
- No ponga en funcionamiento el acondicionador de aire con las manos mojadas.
- Compruebe si hay daños en el soporte de instalación.
- Siempre deberá funcionar con los filtros de aire instalados.
- No beba el agua que se drena del acondicionador de aire.
- No aplique presión a las aletas del radiador.
- No emplee gases inflamables cerca del acondicionador de aire.
- No toque los tubos durante el funcionamiento del equipo.
- Asegúrese de que no haya ningún equipo electrónico a menos de un metro de la unidad interior y de la exterior.

PRECAUCIONES DURANTE LA INSTALACIÓN

¡PRECAUCIÓN!

- No intente instalar este acondicionador de aire usted mismo.
- Este aparato no tiene componentes que pueda reparar el usuario. Consulte siempre al personal de servicio autorizado para las reparaciones.
- Cuando se traslade, consulte siempre al personal de servicio autorizado para la desconexión y la instalación.
- La unidad debe estar conectada a tierra.
- Compruebe que esté lista la instalación de drenaje.
- No instale el acondicionador de aire cerca de hogares de fuego ni de otros aparatos de calefacción.
- Al instalar la unidad interior y la exterior, tenga cuidado de evitar el acceso a los niños.

DENOMINACIÓN DE LOS COMPONENTES



① Panel de control del funcionamiento

② Botón de funcionamiento manual/
automático (MANUAL AUTO)

③ Lámparas indicadoras

④ Receptor de señal de control remoto

⑤ Indicador de funcionamiento
(OPERATION) (rojo)

⑥ Indicador del temporizador (TIMER)
(verde)

⑦ Lámpara indicadora de vaivén (SWING)
(naranja)
(VAIVÉN (SWING) VERTICAL)

⑧ Lámpara indicadora de vaivén (SWING)
(naranja)
(VAIVÉN (SWING) HORIZONTAL)

⑨ Rejilla de entrada

⑩ Lamas deflectoras de arriba/abajo

⑪ Difusor móvil

⑫ Palas deflectoras de derecha/izquierda
(Detrás de las lamas deflectoras)

⑬ Manguera de drenaje

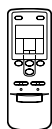
⑭ Filtro de aire

Disyuntor eléctrico

Este disyuntor se instala durante la
instalación eléctrica.

Unidad de control (opcional)

Control remoto inalámbrico



Control remoto cableado



Control remoto simple



Para el método de funcionamiento, consulte el Manual de Funcionamiento de cada dispositivo.

FUNCIONAMIENTO MANUAL Y AUTOMÁTICO

Emplee el funcionamiento manual/automático (MANUAL AUTO) en el caso de que se pierda el mando a distancia o de que no pueda utilizarse.



No presione el botón de funcionamiento manual/automático (MANUAL AUTO) con las manos mojadas o con objetos puntiagudos ya que de lo contrario podría producirse una descarga eléctrica o un mal funcionamiento del aparato.

Encendido

Presione el botón de funcionamiento manual/automático (MANUAL AUTO) en el panel de control del funcionamiento.

El funcionamiento se puede ajustar de la manera siguiente.

Modo de funcionamiento	AUTO	Cuando no se puede seleccionar el modo automático (Auto), la unidad funcionará en el mismo modo que la otra unidad interior conectada al sistema. (Cuando la otra unidad interior conectada al sistema no funciona, el acondicionador de aire funcionará en refrigeración.)
Velocidad del ventilador	AUTO	
Ajuste de la temperatura	23 °C	

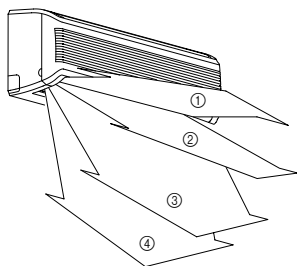
Apagado

Presione el botón de funcionamiento manual/automático (MANUAL AUTO) en el panel de control del funcionamiento.

AJUSTE DE LA DIRECCIÓN DE CIRCULACIÓN DEL AIRE

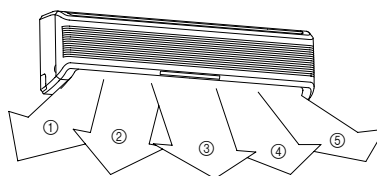
La dirección vertical de la corriente de aire se puede ajustar con la unidad de control. La dirección horizontal de la corriente de aire también se puede controlar de la misma manera.

Dirección vertical



Refrigeración/Deshumectación : ①, ②, ③, ④
Calefacción : ①, ②, ③, ④

Dirección horizontal



Refrigeración/Deshumectación : ①, ②, ③, ④, ⑤
Calefacción : ①, ②, ③, ④, ⑤

CONSEJOS PARA EL FUNCIONAMIENTO

Funcionamiento y rendimiento

Sobre el estado de prioridad y estado de espera

- Varias unidades interiores se pueden conectar al mismo sistema. Las opciones de modo de funcionamiento son limitadas y dependen del sistema.

Estado de prioridad en Refrigeración	Cuando la otra unidad interior conectada al sistema está funcionando en refrigeración o deshumectación, no se puede seleccionar el modo calefacción.
Estado de prioridad en calefacción	Cuando la otra unidad interior conectada al sistema está funcionando en calefacción, no se puede seleccionar el modo refrigeración o deshumectación.
Estado de espera	El estado de espera se activa cuando dos o más unidades interiores se encienden al mismo tiempo en modos diferentes. Todas las unidades interiores, menos la que está en modo prioridad, se mantendrán en estado de espera hasta que cambie el modo de prioridad (el funcionamiento comienza tan pronto como la prioridad cambie). En este momento, el indicador de funcionamiento (OPERATION) (rojo) se enciende y el indicador del temporizador (TIMER) (verde) parpadea.

Enfriando bajo del ambiente

- Cuando la temperatura exterior desciende, los ventiladores de la unidad exterior pueden pasar a baja velocidad.

Rendimiento de calefacción

- El modo de calefacción funciona según el principio de la bomba de calor, absorbe el calor del aire exterior y lo transfiere al interior. Como resultado, su capacidad de calefacción se reduce a medida que la temperatura exterior baja. Si considera que el calor producido es insuficiente, le recomendamos que utilice el acondicionador de aire junto con otros sistemas de calefacción.
- El modo calefacción calienta toda la habitación por medio de la recirculación del aire, y como resultado, es necesario esperar un tiempo después de encender el acondicionador de aire para que se caliente la habitación.

Desescarche automático controlado por microordenador

- Cuando la temperatura del aire exterior es baja y la humedad alta, el empleo de la función de calefacción puede causar la aparición de hielo dentro de la unidad exterior, reduciendo el rendimiento. Para evitar esta situación, se emplea un microordenador automático incorporado, y cuando es necesario, se activa el modo de desescarche. Si se forma escarcha, se produce una interrupción momentánea del acondicionador de aire y el circuito de desescarche funciona brevemente (de 4 a 15 minutos).

Durante el funcionamiento de desescarche automático, el indicador de funcionamiento (OPERATION) (roja) parpadea.

Funcionamiento de la recuperación de aceite

- Periódicamente se activa la función de recuperación de aceite para restituir aceite del compresor a la unidad exterior. Cuando se activa la recuperación de aceite, el indicador de funcionamiento (OPERATION) (roja) parpadeará (de 10 minutos).

Margen de temperatura y humedad

- En la tabla siguiente se muestra la temperatura y humedad necesarias para que funcione la unidad.

	Modo de refrigeración/deshumectación	Funcionamiento de calefacción
Temperatura exterior	Consulte las especificaciones de las unidades exteriores.	
Temperatura interior	Aprox. 18 a 32 °C	Aprox. 16 a 30 °C
Humedad interior	Aproximadamente el 80 % o menos.	

- Si se hace funcionar el aparato con temperaturas más altas que las indicadas, el circuito automático de protección puede activarse para evitar daños del circuito interno. Además, en el modo de refrigeración y deshumectación, si el aparato se utiliza con temperaturas más bajas que las indicadas, el intercambiador de calor térmico puede congelarse causando fugas de agua u otros problemas en el funcionamiento.
- Si la unidad se utiliza durante largos períodos de tiempo con humedad alta, puede condensarse agua en la unidad interior y gotear desde la superficie al suelo u otros objetos que estén debajo.
- No utilice este aparato con otra finalidad que la de refrigerar, calentar, deshumectar y hacer circular el aire en salas de características habituales.

LIMPIEZA Y MANTENIMIENTO

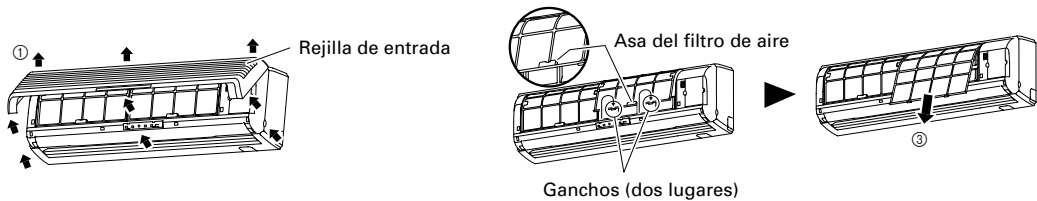


- Antes de limpiar la unidad, asegúrese de parar el funcionamiento del acondicionador de aire y de desconectar la alimentación.
- Cuando lo limpie, no se pare sobre una plataforma inestable.
- Cuando extraiga y reemplace los filtros de aire, asegúrese de no tocar el intercambiador de calor, porque podrían producirse daños personales.
- Asegúrese de que la rejilla de entrada esté bien instalada.
- Cuando limpie el exterior de la unidad, no emplee nunca agua que esté más caliente de 40 °C, agentes abrasivos fuertes o agentes volátiles como por ejemplo bencina o disolventes.
- Si se deja acumular el polvo en el filtro de aire, se reducirá el flujo de aire, reduciendo la eficacia del funcionamiento y aumentando el ruido.
Durante los períodos de empleo normal, los filtros de aire deberán limpiarse cada dos semanas.

Limpieza de las rejillas de entrada y del filtro de aire

1. Retire las rejillas de entrada y el filtro de aire.

- ① Ponga los dedos detrás de los bordes inferiores del panel de la rejilla y levante hacia delante. Si parece que la rejilla se engancha a mitad del movimiento, siga levantando suavemente hacia arriba y sáquela.
- ② Levante completamente la rejilla y sáquela.
- ③ Levante el asa, desenganche las dos lengüetas y tire hacia fuera.

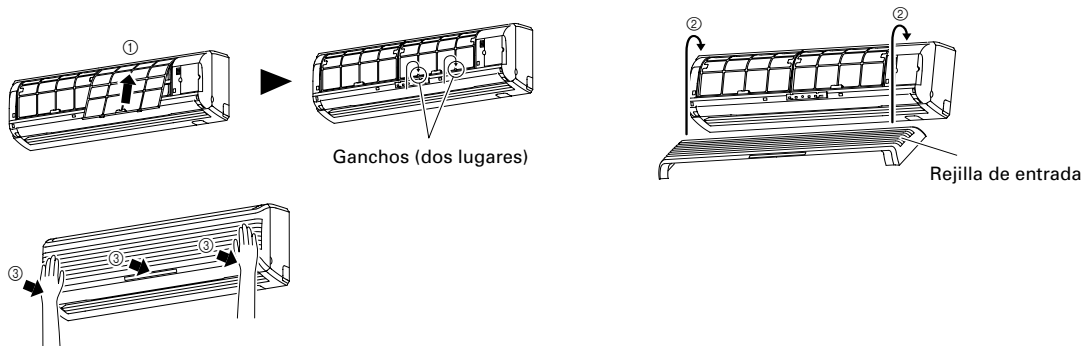


2. Limpieza

- ① Limpieza del orificio de entrada
Elimine el polvo con una aspiradora, lave la rejilla con agua tibia y séquela con un paño limpio y suave.
- ② Limpieza del filtro de aire
Elimine el polvo con una aspiradora o lavándolo. Después de lavarlo, asegúrese de que se seque bien en un lugar a la sombra antes de reinstalarlo.

3. Vuelva a colocar las rejillas de entrada y el filtro de aire.

- ① Alinee los lados del filtro de aire con el papel y presiónelo con cuidado hasta el fondo, asegurándose de que las dos lengüetas de retención inferiores retornan correctamente a sus orificios del panel.
- ② Retenga la rejilla de entrada horizontalmente, y apriete los dos ganchos superiores de la unidad.
- ③ Presione hacia abajo la rejilla de entrada por los bordes inferiores para cerrarla.



Limpieza exterior

Limpie el exterior con agua tibia y séquelo con un paño limpio y suave.

Cuando no se use durante un periodo prolongado de tiempo

Coloque la clavija de alimentación en la posición de encendido al menos 12 horas antes de poner a funcionar el equipo nuevamente.

LOCALIZACIÓN DE AVERÍAS

Las siguientes situaciones no constituyen fallas ni roturas.

Síntoma	Problema	Vea la página	
No se pone inmediatamente en funcionamiento:	<ul style="list-style-type: none"> ● Si se para el aparato y se pone inmediatamente en funcionamiento otra vez, el compresor no funcionará durante unos 3 minutos para evitar que se quemen los fusibles. ● Siempre que se desenchufa la clavija de alimentación y se vuelve a enchufar a una toma de corriente, se activa el circuito de protección durante unos 3 minutos evitando el funcionamiento del aparato durante este período de tiempo. 	— —	
El flujo de aire es débil o se para:	<ul style="list-style-type: none"> ● Cuando se inicia el modo de calefacción, el ventilador de la unidad interior se puede parar, para que se calienten las piezas internas. ● Durante el funcionamiento de calefacción, si la temperatura de la sala aumenta por encima del ajuste del termostato, la unidad exterior se parará y también se parará el ventilador de la unidad interior. Si desea calentar más la sala, ajuste más alto el termostato. ● Durante la recuperación de aceite, se puede detener el flujo de aire durante aproximadamente 10 minutos. ● Durante el funcionamiento de calefacción, la unidad parará momentáneamente el funcionamiento (entre 4 y 15 minutos) cuando se active el modo de desescarche automático. ● Es posible que el ventilador funcione a velocidad lenta durante el modo de deshumectación o cuando la unidad está monitorizando la temperatura de la sala. ● Durante el funcionamiento automático (AUTO) de monitorización, el ventilador funcionará a velocidad lenta. 	— — 4 4 — —	
Lámparas parpadeantes:	El indicador de funcionamiento (OPERATION) (rojo) parpadea:	Se ha activado la función de recuperación de aceite.	4
	El indicador de funcionamiento (OPERATION) (rojo) parpadea:	Se está realizando el desescarche automático.	4
	El indicador de funcionamiento (OPERATION) (rojo) y el indicador del temporizador (TIMER) (verde) parpadean alternativamente.	Se ha recuperado de una interrupción en el suministro eléctrico.	—
	El indicador de funcionamiento (OPERATION) (rojo) y el indicador del temporizador (TIMER) (verde) parpadean simultáneamente:	Está funcionando en el modo de comprobación. Consulte con algún directivo pues puede que se esté realizando un mantenimiento.	—
	El indicador de funcionamiento (OPERATION) (rojo) se enciende y el indicador del temporizador (TIMER) (verde) parpadea:	Este es el estado de espera.	4
Se oye ruido:	<ul style="list-style-type: none"> ● En las situaciones siguientes se escucha como si corriera agua desde la unidad interior y el sonido de funcionamiento es más alto. Estos son los sonidos que produce la circulación del refrigerante. Cuando se enciende Cuando termina la recuperación de aceite Cuando termina el desescarche automático ● Durante el funcionamiento, es posible que se oiga un pequeño chirrido. Esto es el resultado de una pequeña expansión y contracción del panel debido a cambios de temperatura. ● Durante el funcionamiento de la calefacción, puede oírse un chisporroteo de forma ocasional. Este sonido es debido a la función de descongelación automática. 	— — 4	
Olores:	● Es posible que la unidad interior emita ciertos olores. Se deben a los olores de la sala (muebles, tabaco, etc.) que ha absorbido el acondicionador de aire.	—	
Sale neblina de la unidad interior:	● Durante el funcionamiento de refrigeración, es posible que se aprecie un poco de neblina saliendo de la unidad interior. Se debe al enfriamiento súbito del aire de la sala por el aire emitido por el acondicionador de aire, produciendo condensación y niebla.	—	
Sale vapor de la unidad interior:	● Durante el funcionamiento de la calefacción, puede que se detenga el ventilador de la unidad exterior, y puede emitirse vapor desde el aparato. Esto se debe a la función de descongelación automática.	4	
Se produce agua desde la unidad exterior:	● Durante el funcionamiento de la calefacción, se puede producir agua en la unidad exterior debido a la función de descongelación automática.	—	

Puede que las situaciones siguientes no se deban a roturas, compruebe de nuevo.

Síntoma	Puntos a comprobar	Vea la página
No funciona:	<ul style="list-style-type: none"> ● ¿Ha ocurrido un fallo de la red de alimentación? ● ¿Se ha quemado un fusible o se ha disparado un disyuntor? ● ¿Está el interruptor principal en la posición OFF? ● ¿Está intentando hacerlo funcionar en un modo diferente al estado de prioridad? ● ¿Está en estado de espera? 	— — — 4 4
No se puede cambiar el modo de funcionamiento:	<ul style="list-style-type: none"> ● ¿Está intentando cambiarlo a un funcionamiento diferente al de prioridad? 	4
Refrigeración (o Calefacción) insuficiente:	<ul style="list-style-type: none"> ● ¿Realizó correctamente los ajustes de la temperatura de la sala (termostato)? ● ¿Está sucio el filtro de aire? ● ¿Están bloqueados los orificios de entrada o de salida? ● ¿Hay alguna puerta o ventana abierta? ● En el caso de refrigeración, ¿hay alguna ventana que deja entrar la luz del sol? (Cierre las cortinas.) ● En el caso del funcionamiento de refrigeración, ¿hay aparatos y ordenadores dentro de la habitación o hay demasiada gente en la habitación? ● ¿Está ajustada en baja la velocidad del ventilador? 	— 5 — — — — —

En los siguientes casos apague inmediatamente el equipo y llame al personal de servicio autorizado.

- No se pudo solucionar el problema aún después de realizar el diagnóstico de averías.
- El indicador de funcionamiento (OPERATION) (rojo) parpadea rápidamente.
- El control remoto cableado o el simple indican EE (Cuando están conectados).
- Olor a quemado.

ESPECIFICACIONES

MODELO		AS□A18L	AS□A24L	AS□A30L
FUENTE DE ALIMENTACIÓN		230 V~50 Hz		
VARIACIÓN DE TENSIÓN DISPONIBLE		198 a 264 V		
REFRIGERACIÓN	[kW]	5,40	6,90	8,00
CALEFACCIÓN	[kW]	5,60	7,80	8,80
DIMENSIONES Y PESO				
	ALTURA	[mm]	320	
	ANCHURA	[mm]	1.120	
	PROFUNDIDAD	[mm]	220	
	PESO	[kg]	16	



- Información sobre el ruido acústico : El nivel de presión de sonido máxima es de menos de 70 dB (A) para la unidad interior y la exterior.
De acuerdo con las normas IEC 704-1 e ISO 3744.

INDICE

PRECAUZIONI DI SICUREZZA	1	GENERALITÀ SUL FUNZIONAMENTO	4
DENOMINAZIONI DELLE PARTI E DEI		CURA E MANUTENZIONE	5
COMANDI	2	DIAGNOSTICA	7
FUNZIONAMENTO MANUALE-AUTOMATICO ...	3	DATI TECNICI	8
REGOLAZIONE DELLA DIREZIONE DEL			
FLUSSO D'ARIA	3		

PRECAUZIONI DI SICUREZZA

- Prima di passare all'uso dell'apparecchio, leggere attentamente queste "PRECAUZIONI" ed eseguire correttamente le procedure previste.
- Le istruzioni in questo capitolo si riferiscono alla sicurezza; è necessario avere condizioni di utilizzo sicure.
- Nel corso di questo manuale di istruzioni, i termini, "ATTENZIONE" e "AVVERTENZA" hanno il seguente significato:

 ATTENZIONE!	Questo simbolo indica situazioni pericolose, o azioni e procedure che, se eseguite in modo non corretto, possono causare lesioni fisiche gravi, o addirittura la morte.
 AVVERTENZA!	Questo simbolo indica azioni o procedure che, se eseguite in modo non corretto, possono causare lesioni fisiche alle persone, o danni alle cose.

PRECAUZIONI D'USO

ATTENZIONE!

- Non esporsi di continuo al getto di aria proveniente dal condizionatore per periodi prolungati.
- Non inserire le dita o oggetti vari nei bocchettoni di uscita del flusso d'aria e nelle griglie di aspirazione.
- Non avviare e fermare il condizionatore collegando e scollegando la presa dell'alimentazione.
- Se il cavo di alimentazione dell'apparecchio è danneggiato, dovrebbe essere sostituito solamente da personale tecnico autorizzato, dal momento che sono necessari attrezzi e cavi particolari.
- Nel caso si verificassero perdite di liquido refrigerante, estinguere eventuali fiamme, ventilare il locale e contattare il personale tecnico autorizzato.

AVVERTENZA!

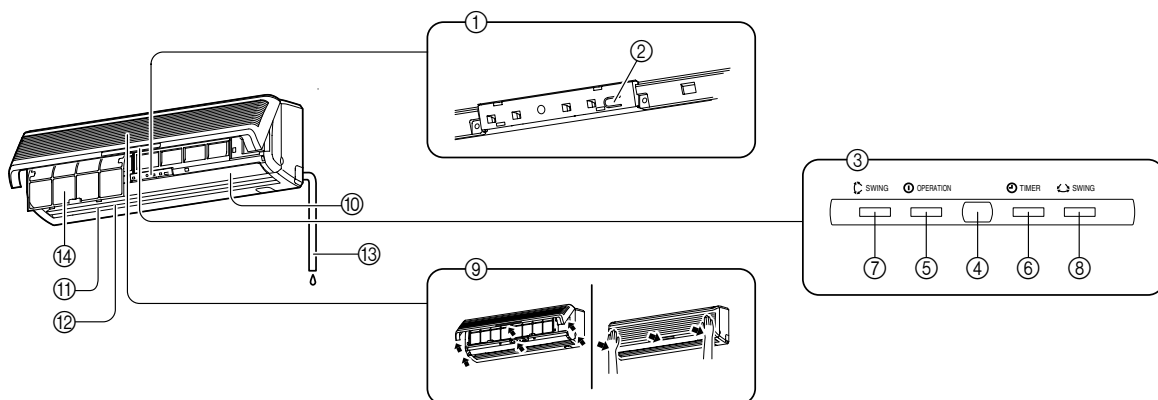
- Aereare di tanto in tanto la stanza nel corso dell'uso dell'apparecchio.
- Non utilizzare l'apparecchio per la conservazione di cibi, strumentazione di precisione o opere d'arte.
- Non esporre animali o piante al diretto flusso d'aria dell'apparecchio.
- Non dirigere il flusso d'aria del condizionatore verso camini o altri apparecchi di riscaldamento.
- Non bloccare o coprire le aperture di aspirazione e ventilazione dell'apparecchio.
- Non salire sull'apparecchio e non appoggiarvi oggetti.
- Non appoggiare vasi di fiori o contenitori d'acqua sul condizionatore.
- Non appendere oggetti all'apparecchio interno, e non coprirlo.
- Non posizionare nulla sotto l'unità interna, che deve rimanere asciutta.
- Spegnerne sempre l'interruttore elettrico ogni volta che si procede alla manutenzione del condizionatore d'aria o si cambia il filtro dell'aria.
- Non esporre il condizionatore a contatto con l'acqua.
- Non far funzionare il condizionatore con le mani bagnate.
- Verificare le condizioni di installazione per individuare eventuali danni.
- Utilizzare sempre l'apparecchio con i filtri dell'aria installati.
- Non bere l'acqua in uscita dallo scarico condensa del condizionatore.
- Non esercitare forti pressioni sulle alette del radiatore.
- Non usare gas infiammabili nelle vicinanze del condizionatore.
- Non toccare i tubi durante il funzionamento.
- Verificare che eventuali altri dispositivi elettronici usati nelle vicinanze si trovino ad almeno un metro di distanza dagli apparecchi interno ed esterno.

PRECAUZIONI IN FASE DI INSTALLAZIONE

AVVERTENZA!

- Non tentare di installare da se stessi questo condizionatore.
- Questo apparecchio con contiene parti la cui manutenzione possa essere effettuata dall'utente. Per qualsiasi riparazione rivolgersi sempre a personale di servizio autorizzato.
- In caso di trasloco, rivolgersi a personale di servizio autorizzato per il distacco e la reinstallazione dell'apparecchio.
- L'apparecchio deve essere collegato alla messa a terra.
- Assicurarsi che il collegamento dello scarico consenta uno scarico efficiente.
- Evitare di installare il condizionatore vicino a caminetti o altri apparecchi di riscaldamento.
- Durante l'installazione delle unità interna ed esterna, prendere le necessarie precauzioni per evitare l'accesso da parte di bambini piccoli.

DENOMINAZIONI DELLE PARTI E DEI COMANDI



- ① Pannello di comando
- ② Tasto per funzionamento manuale-automatico (MANUAL AUTO)

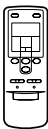
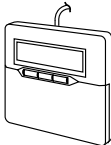

- ③ Lampadine spia
- ④ Sensore dei segnali del telecomando
- ⑤ Spia (rossa) del funzionamento (OPERATION)
- ⑥ Spia (verde) dell'uso del timer (TIMER)
- ⑦ Spia (arancione) di indicazione dell'oscillazione (SWING) (OSCILLAZIONE VERTICALE)
- ⑧ Spia (arancione) di indicazione dell'oscillazione (SWING) (OSCILLAZIONE ORIZZONTALE)

- ⑨ Griglia di aspirazione
- ⑩ Alette direzionali del flusso d'aria verso l'alto/il basso
- ⑪ Diffusore mobile
- ⑫ Alette direzionali verso destra/sinistra (ubiccate dietro il pannello direzionale verso l'alto/il basso)
- ⑬ Flessibile scarico condensa
- ⑭ Filtri dell'aria

Interruttore principale della linea di alimentazione

Questo interruttore viene installato nel corso della messa in opera dei collegamenti elettrici.

Unità di controllo (opzionale)

Telecomando senza fili	Telecomando a filo	Telecomando semplice
		

Per le modalità di funzionamento, fare riferimento al Manuale d'uso di ciascun dispositivo.

FUNZIONAMENTO MANUALE-AUTOMATICO

Utilizzare la modalità di funzionamento manuale-automatico (MANUAL AUTO) nel caso in cui il telecomando sia stato perduto, o non sia comunque altrimenti disponibile o utilizzabile.



ATTENZIONE!

Non premere il tasto per funzionamento manuale-automatico (MANUAL AUTO) con le mani bagnate od oggetti appuntiti, altrimenti si rischia una scossa elettrica o l'apparecchio potrebbe funzionare male.

Avvio dell'apparecchio

Premere il tasto per funzionamento manuale-automatico (MANUAL AUTO) sul pannello di controllo dell'apparecchio.

È possibile impostare il funzionamento nelle seguenti modalità.

Modalità di funzionamento	AUTO	Quando non è possibile scegliere la modalità automatico (AUTO), l'apparecchio funzionerà nella stessa modalità dell'altra unità interna del sistema. (Quando l'altra unità interna non è in funzione, il condizionatore opererà in modalità raffreddamento.)
Velocità della ventola	AUTO	
Impostazione della temperatura	23 °C	

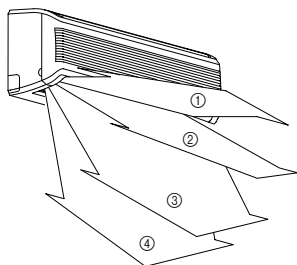
Arresto dell'apparecchio

Premere il tasto per funzionamento manuale-automatico (MANUAL AUTO) sul pannello di controllo dell'apparecchio.

REGOLAZIONE DELLA DIREZIONE DEL FLUSSO D'ARIA

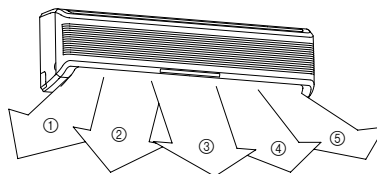
Il direzionamento in senso verticale del getto d'aria può essere controllato tramite l'unità di controllo. Lo stesso vale per il direzionamento in senso orizzontale.

Direzionamento in senso verticale



Raffreddamento o Deumidificazione : ①, ②, ③, ④
Riscaldamento : ①, ②, ③, ④

Direzionamento in senso orizzontale



Raffreddamento o Deumidificazione : ①, ②, ③, ④, ⑤
Riscaldamento : ①, ②, ③, ④, ⑤

GENERALITÀ SUL FUNZIONAMENTO

Funzionamento e prestazioni

Informazioni sugli stati di priorità e di standby

- Più unità interne possono essere collegate all'interno dello stesso sistema. A seconda del sistema, varieranno le modalità di utilizzo selezionabili.

Stato di priorità al raffreddamento	Quando le altre unità interne del sistema funzionano in modalità raffreddamento o deumidificazione, non sarà possibile selezionare contemporaneamente la modalità riscaldamento.
Stato di priorità al riscaldamento	Quando le altre unità interne del sistema funzionano in modalità riscaldamento, non sarà possibile selezionare contemporaneamente le modalità raffreddamento o deumidificazione.
Stato di standby	Lo stato di standby si attiva quando due o più unità interne vengono avviate contemporaneamente, ma impostate su modalità diverse. Le unità interne che non hanno la priorità attendranno in standby sino alla modifica dello stato di priorità (il funzionamento inizierà non appena l'unità riceverà la priorità all'interno del sistema). Durante l'attesa, la spia (rossa) del funzionamento (OPERATION) si accende e la spia (verde) dell'uso del timer (TIMER) lampeggia.

Ridotto raffreddamento della stanza

- Quando la temperatura esterna diminuisce, i ventilatori della stessa possono essere commutati su bassa.

Prestazioni di riscaldamento

- La modalità riscaldamento si basa sul principio della pompa di calore, assorbe cioè il calore dall'esterno e lo trasferisce all'interno. Come risultato, le prestazioni di riscaldamento si riducono se la temperatura dell'aria esterna scende. Se si ritiene insufficiente il riscaldamento della stanza, si consiglia di utilizzare questo condizionatore in combinazione con altri apparecchi di riscaldamento.
- La modalità riscaldamento effettua la propria azione facendo circolare l'aria all'interno dell'ambiente; potrebbero essere necessari alcuni minuti dopo l'avvio del condizionatore prima che il locale raggiunga la temperatura desiderata.

Sbrinamento automatico a controllo computerizzato

- Se la temperatura dell'aria esterna è molto bassa e l'umidità è elevata, l'uso della funzione di riscaldamento può provocare il formarsi di brina all'interno dell'apparecchio esterno, con conseguente scadimento delle prestazioni del condizionatore. Per prevenire questi problemi, l'apparecchio contiene un microcomputer che controlla in modo automatico il dispositivo di sbrinamento. Se si forma della brina, il riscaldamento viene temporaneamente interrotto, ed entra in funzione (per un periodo variabile da 4 a 15 minuti) il circuito automatico di sbrinamento.
Nel corso dello sbrinamento automatico la spia (rossa) del funzionamento (OPERATION) lampeggia.

Operazione di recupero dell'olio

- Periodicamente viene eseguita l'operazione di recupero dell'olio allo scopo di far ritornare l'olio del compressore nell'unità esterna.
Durante questa operazione il funzionamento viene arrestato e sempre durante il recupero dell'olio la spia (rossa) del funzionamento (OPERATION) lampeggia (per un periodo variabile 10 minuti).

Gamme utili delle temperature e dell'umidità

- Le temperature ed i tassi di umidità necessari per il funzionamento di questo apparecchio sono mostrati nella seguente tabella.

	Modalità di raffreddamento/deumidificazione	Modalità di riscaldamento
Temperatura esterna	Si prega di fare riferimento alle specifiche per le unità esterne.	
Temperatura interna	Circa da 18 a 32 °C	Circa da 16 a 30 °C
Umidità interna	Circa 80 % o meno	

- Se il condizionatore viene utilizzato a temperature superiori a quelle sopra indicate, il circuito di protezione integrato potrebbe attivarsi al fine di impedire danni ai circuiti interni. Inoltre, nelle modalità di raffreddamento e deumidificazione, se il condizionatore viene utilizzato a temperature inferiori a quelle sopra indicate, lo scambiatore di calore potrebbe congelare, con conseguenti possibili perdite di acqua o altri danni.
- Se il condizionatore viene usato per lunghi periodi di tempo in condizioni di umidità molto elevata, sulla superficie dell'apparecchio interno potrebbe formarsi della condensa, con conseguente possibile sgocciolamento.
- Utilizzare questo apparecchio unicamente per scopi di raffreddamento, riscaldamento, deumidificazione e circolazione d'aria nelle stanze delle normali abitazioni.

CURA E MANUTENZIONE



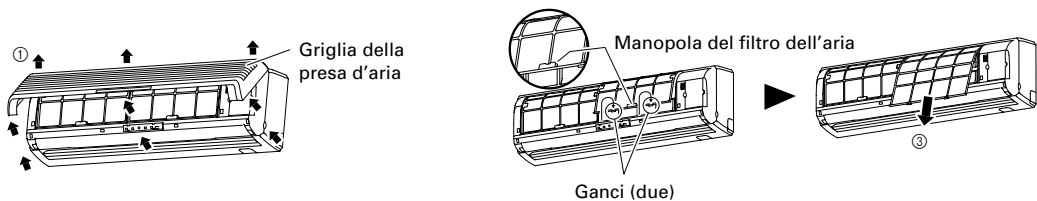
AVVERTENZA!

- Prima di procedere alla pulizia dell'apparecchio, arrestarlo, se in funzione, e staccare il cavo di alimentazione di corrente dell'apparecchio.
- Non salire su superfici instabili per effettuare la pulizia.
- Togliendo e reinstallando i filtri dell'aria, fare attenzione a non toccare il radiatore, la cui alta temperatura potrebbe causare lesioni o scottature.
- Verificare che la griglia della presa d'aria sia regolarmente installata.
- Per la pulizia del corpo dell'apparecchio non usare acqua calda a temperatura superiore a 40 °C, polveri per pulizia abrasive, o agenti volatili quali benzene o solventi.
- L'eventuale accumulo di polvere e sporco sui filtri causa la riduzione del flusso d'aria, con una conseguente diminuzione dell'efficienza di funzionamento ed aumento del rumore.
In periodi di uso normale, i filtri dell'aria devono essere puliti ogni due settimane circa.

Pulizia della griglia di aspirazione e del filtro dell'aria

1. Rimuovere la griglia di aspirazione e il filtro dell'aria

- ① Posizionare le dita sulla parte inferiore di ciascuna estremità del pannello della griglia e sollevarlo verso l'esterno. Se la griglia sembra resistere alquanto nel corso del movimento, continuare a sollevarla sino a quando la si può togliere.
- ② Sollevare completamente la griglia e rimuoverla.
- ③ Sollevare la manopola del filtro dell'aria, sganciare le due alette inferiori e estrarre il filtro.

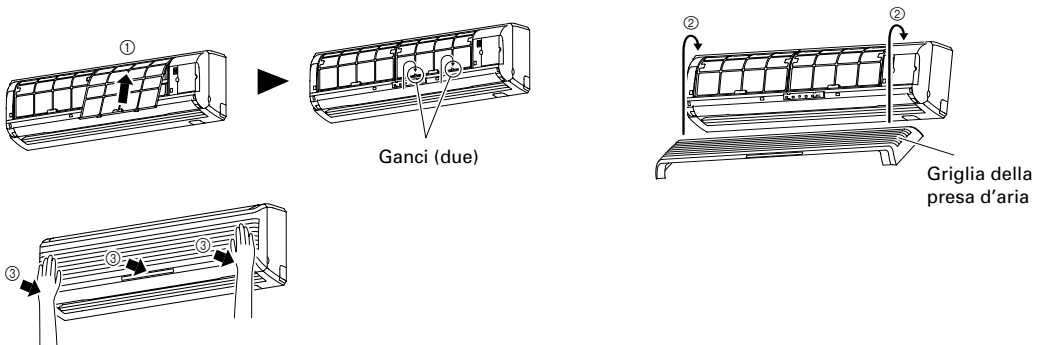


2. Pulizia

- ① Pulizia della griglia di aspirazione
Rimuovere la polvere con un aspirapolvere, lavare la griglia con acqua calda ed asciugare con un panno pulito ed asciutto.
- ② Pulizia del filtro dell'aria
Rimuovere la polvere con un aspirapolvere o lavando il filtro. Dopo il lavaggio, lasciare asciugare completamente il filtro senza esporlo direttamente al sole prima di reinserirlo nell'apparecchio.

3. Reinserire la griglia di aspirazione ed il filtro dell'aria.

- ① Allineare i due lati del filtro con il pannello e spingere in dentro a fondo, verificando che le due alette inferiori ritornino correttamente negli appositi fori del pannello.
- ② Tenendo la griglia in posizione orizzontale, agganciarne i due ganci superiori dell'apparecchio. Tenendo la griglia in posizione orizzontale, agganciarne i due ganci superiori dell'apparecchio.
- ③ Premere la griglia verso il basso agendo sui due lati inferiori, sino a quando si richiude.



Pulizia delle superfici esterne

Lavare con acqua calda, ed asciugare con un panno morbido ed asciutto.

In caso di inutilizzo per lunghi periodi di tempo

Lasciare l'interruttore acceso per almeno 12 ore prima di rimettere in funzione il condizionatore.

DIAGNOSTICA

Le seguenti situazioni non rappresentano stati di malfunzionamento o guasto.

Sintomo	Problemi	Vedi pag.
All'avvio, l'apparecchio non entra subito in funzione:	● Se il condizionatore viene arrestato e fatto immediatamente ripartire, il compressore non entra in funzione per circa 3 minuti, onde prevenire la possibile bruciatura dei fusibili.	—
	● Ogni volta che si stacca il cavo di alimentazione dalla presa di corrente e lo si reinserisce nella presa stessa, entra in funzione per circa 3 minuti un circuito di protezione che impedisce il funzionamento dell'apparecchio in quel periodo.	—
Il flusso dell'aria è debole o si interrompe:	● Al momento dell'avvio del riscaldamento, la velocità della ventola dell'unità interna potrebbe temporaneamente diminuire fino all'arresto per consentire alle parti interne di riscaldarsi progressivamente.	—
	● In fase di riscaldamento, se la temperatura della stanza sale oltre il livello prestabilito con il termostato, l'unità esterna si arresta e la ventola dell'unità interna si arresta. Se si vuole riscaldare ulteriormente la stanza, alzare la temperatura predisposta sul termostato.	—
	● Durante le operazioni di recupero olio, il flusso d'aria potrebbe interrompersi per circa 10 minuti.	4
	● Durante il riscaldamento, l'apparecchio si arresta temporaneamente (per un periodo variabile da 4 a 15 minuti) quando viene attivata la modalità di sbrinamento automatico.	4
	● La ventola potrebbe funzionare a bassa velocità durante la deumidificazione, o quando l'apparecchio si trova in fase di individuazione della temperatura dell'ambiente.	—
	● Durante il funzionamento in monitor automatico (AUTO), la ventola gira a bassa velocità.	—
	●	—
Spie lampeggianti:	La spia (rossa) del funzionamento (OPERATION) lampeggia: È in corso il recupero olio.	4
	La spia (rossa) del funzionamento (OPERATION) lampeggia: È in corso lo sbrinamento automatico.	4
	La spia (rossa) del funzionamento (OPERATION) e la spia (verde) dell'uso del timer (TIMER) lampeggiano in modo alterno: Il sistema si sta riavviando in seguito a un'interruzione dell'alimentazione.	—
	La spia (rossa) del funzionamento (OPERATION) e la spia (verde) dell'uso del timer (TIMER) lampeggiano simultaneamente: Il sistema sta funzionando in modalità test. Informarsi presso un responsabile, l'apparecchio potrebbe essere in fase di manutenzione.	—
	La spia (rossa) del funzionamento (OPERATION) è accesa e la spia (verde) dell'uso del timer (TIMER) lampeggia: Questo è lo stato di standby.	4
Si odono rumori:	● Nelle seguenti situazioni sono avvertibili rumori di acqua che fuoriesce dall'unità interna, ed il rumore di funzionamento diventa più forte. Questi rumori sono dovuti al liquido refrigerante. All'avvio dell'apparecchio Al termine delle operazioni di recupero olio Al termine delle operazioni di sbrinamento automatico	—
	● Nel corso del funzionamento si può percepire un leggero stridio. Questo è causato da piccole dilatazioni e contrazioni termiche del pannello causate dalle variazioni di temperatura.	—
	● Durante il funzionamento come riscaldamento, si può notare un rumore simile a uno sfrigolio. Tale rumore è causato dallo sbrinatori automatico.	4
Odori vari:	● L'apparecchio interno può emettere degli odori, che sono il risultato dell'assorbimento all'interno del condizionatore di odori esistenti nell'ambiente circostante (odori di mobili, di sigarette e simili).	—
Una nebbiolina fuoriesce dall'unità interna:	● Nel corso del funzionamento per raffreddamento, si può notare l'emissione di una leggera nebbiolina emessa dall'apparecchio interno. L'improvviso raffreddamento dell'aria dell'ambiente da parte dell'aria fredda emessa dal condizionatore causa la condensazione dell'umidità e produce una leggera foschia.	—
Del vapore fuoriesce dall'unità interna:	● Durante il funzionamento come riscaldamento, il ventilatore dell'unità esterna potrebbe fermarsi, e si potrebbe vedere del vapore che si solleva dall'unità. Questo è causato dallo sbrinatori automatico.	4
Fuoriuscita di acqua dall'apparecchio esterno:	● Durante il funzionamento come riscaldamento, l'unità esterna può perdere acqua a causa dello sbrinamento automatico.	—

Le seguenti situazioni potrebbero non rappresentare un guasto, controllare quindi accuratamente.

Sintomo	Punti da controllare	Vedi pag.
L'apparecchio non funziona del tutto:	<ul style="list-style-type: none"> ● Controllare che non si sia verificata una caduta di corrente. ● Controllare che non vi siano fusibili bruciati, o che non sia scattato l'interruttore di linea o l'interruttore salvavita. ● L'interruttore principale è stato posizionato su OFF? ● State tentando di attivare una modalità di funzionamento diversa dallo stato di priorità? ● L'apparecchio è in standby? 	<p>—</p> <p>—</p> <p>—</p> <p>4</p> <p>4</p>
Impossibile modificare la modalità di funzionamento:	<ul style="list-style-type: none"> ● State tentando di attivare una modalità di funzionamento diversa dallo stato di priorità? 	<p>4</p>
Scadenti prestazioni di raffreddamento (o riscaldamento):	<ul style="list-style-type: none"> ● Verificare se la predisposizione del termostato per la temperatura della stanza è stata effettuata in modo corretto. ● Filtri dell'aria sporchi. ● Le aperture di aspirazione e ventilazione del condizionatore sono bloccate? ● Controllare che non vi siano finestre aperte. ● In fase di raffreddamento, controllare che non vi siano finestre dalle quali entrano i raggi del sole. Tirare eventualmente le tende. ● In fase di raffreddamento, controllare che nella stanza non siano in funzione altri apparecchi di riscaldamento, apparecchi che emettono calore, quali computer. La presenza di numerose persone è anche un fattore importante. ● La velocità della ventola è impostata su basso? 	<p>—</p> <p>5</p> <p>—</p> <p>—</p> <p>—</p> <p>—</p> <p>—</p> <p>—</p>

Nelle seguenti situazioni arrestare immediatamente l'apparecchio e contattare il personale tecnico autorizzato.

- Impossibile risolvere il problema, anche dopo che le operazioni suggerite dal manuale sono state effettuate.
- La spia (rossa) del funzionamento (OPERATION) lampeggia molto rapidamente.
- Il telecomando a filo o il telecomando semplice indicano EE (quando collegati).
- Si avverte odore di bruciato.

DATI TECNICI

MODELLO		AS□A18L	AS□A24L	AS□A30L
ALIMENTAZIONE		230 V~50 Hz		
CAMPO DI TENSIONI DISPONIBILE		198 a 264 V		
RAFFREDDAMENTO	[kW]	5,40	6,90	8,00
RISCALDAMENTO	[kW]	5,60	7,80	8,80
DIMENSIONI E PESO				
	ALTEZZA	[mm]	320	
	LARGHEZZA	[mm]	1.120	
	PROFONDITÀ	[mm]	220	
	PESO	[kg]	16	



- Nota sul rumore acustico : Il livello massimo di pressione sonora è inferiore a 70 dB (A) per entrambi gli apparecchi, interno ed esterno.
Dati rilevati in base alle specifiche CEI 704-1 e ISO 3744.

ΠΕΡΙΕΧΟΜΕΝΑ

ΠΡΟΦΥΛΑΞΕΙΣ	1	ΛΕΠΤΟΜΕΡΕΙΕΣ ΛΕΙΤΟΥΡΓΙΑΣ	4
ΟΝΟΜΑ ΤΩΝ ΕΞΑΡΤΗΜΑΤΩΝ	2	ΚΑΘΑΡΙΣΜΟΣ ΚΑΙ ΦΡΟΝΤΙΔΑ	5
ΧΕΙΡΟΚΙΝΗΤΗ ΑΥΤΟΜΑΤΗ ΛΕΙΤΟΥΡΓΙΑ	3	ΕΠΙΣΗΜΑΝΣΗ ΒΛΑΒΩΝ	7
ΡΥΘΜΙΣΗ ΤΗΣ ΔΙΕΥΘΥΝΣΗΣ ΚΥΚΛΟΦΟΡΙΑΣ		ΧΑΡΑΚΤΗΡΙΤΙΚΑΣΤΙΚΑ	8
ΤΟΥ ΑΕΡΑ	3		

ΠΡΟΦΥΛΑΞΕΙΣ

- Πριν χρησιμοποιήσετε την συσκευή διαβάστε αυτές τις προφυλάξεις προσεχτικά και ενεργήστε με τον σωστό τρόπο.
- Οι οδηγίες που περιλαμβάνονται σε αυτή την ενότητα αφορούν την ασφάλεια. Προσέξτε να τηρείτε τις συνθήκες ασφαλούς λειτουργίας.
- “ΠΡΟΕΙΔΟΠΟΙΗΣΗ” και “ΠΡΟΣΟΧΗ” έχουν τις ακόλουθες έννοιες σ'αυτές τις οδηγίες:

 ΠΡΟΕΙΔΟΠΟΙΗΣΗ!	Αυτό το σημάδι δείχνει χειρισμούς που αν γίνουν λάθος μπορούν να οδηγήσουν σε θάνατο ή σοβαρό τραυματισμό του χρήστη.
 ΠΡΟΣΟΧΗ!	Αυτό το σημάδι δείχνει χειρισμούς που αν γίνουν λάθος μπορούν να οδηγήσουν σε τραυματισμό του χρήστη ή υλική καταστροφή.

ΠΡΟΦΥΛΑΞΕΙΣ ΚΑΤΑ ΤΗ ΧΡΗΣΗ

ΠΡΟΕΙΔΟΠΟΙΗΣΗ!

- Μην εκτίθεστε άμεσα στη ροή του αέρα από το κλιματιστικό για μεγάλο χρονικό διάστημα.
- Μην εισχωρήτε δάχτυλα ή αντικείμενα μέσα στο στόμιο εξόδου ή στα πλέγματα εισόδου του αέρα.
- Μην ανάβετε και μην σβήνετε το κλιματιστικό αποσυνδέοντας το καλώδιο ρεύματος.
- Αν το καλώδιο ρεύματος της συσκευής έχει υποστεί ζημιά, θα πρέπει να αντικατασταθεί αποκλειστικά από εξουσιοδοτημένο προσωπικό σέρβις, καθώς απαιτούνται ειδικά εργαλεία και συγκεκριμένος τύπος καλωδίου.
- Εάν προκύψει διαρροή ψυκτικού υγρού, σβήστε τυχόν φλόγες, αερίστε το δωμάτιο και αποταθείτε σε ειδικευμένο προσωπικό σέρβις.

ΠΡΟΣΟΧΗ!

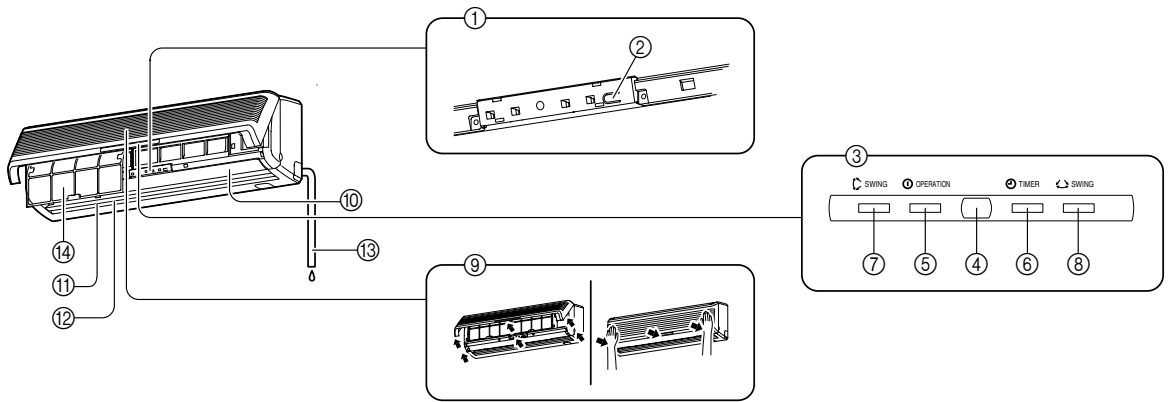
- Αερίζετε το χώρο κατά διαστήματα κατά την διάρκεια της χρήσης.
- Μην το χρησιμοποιείτε σε εφαρμογές που αφορούν την αποθήκευση τροφίμων, τη χρήση εξοπλισμού ακριβείας και τα έργα τέχνης.
- Μη εκθέτετε ζώα ή φυτά κατ' ευθείαν πάνω στο ρεύμα του αέρα.
- Μην κατευθύνετε τη ροή του αέρα κατ' ευθείαν πάνω σε φωτιές ή θερμαντικές συσκευές.
- Μην φράσσετε και μην καλύπτετε τις θύρες εισόδου και εξόδου.
- Μην ανεβαίνετε ή τοποθετείτε αντικείμενα πάνω στο κλιματιστικό.
- Μην τοποθετείτε βάζα λουλουδιών ή δοχεία με νερό πάνω στην κορυφή των κλιματιστικών.
- Μην κρεμάτε αντικείμενα στην εσωτερική μονάδα.
- Μην τοποθετείτε κάτω από την εσωτερική μονάδα τίποτα που να μην πρέπει βραχεί.
- Σβήνετε πάντα τον ηλεκτρικό διακόπτη όποτε πρόκειται να καθαρίσετε το κλιματιστικό ή το φίλτρο αέρος.
- Μην εκθέτετε το κλιματιστικό σε κατ' ευθείαν επαφή με νερό.
- Μην λειτουργείτε το κλιματιστικό με βρεγμένα χέρια.
- Ελέγξτε την κατάσταση του βάρθρου της εγκατάστασης για τυχόν βλάβη.
- Λειτουργείτε μόνο με τα φίλτρα αέρος τοποθετημένα.
- Μην πίνετε το νερό που αποστραγγίζει το κλιματιστικό.
- Μην εφαρμόζετε δυνατή πίεση στα πτερύγια του ανακλαστήρα ανταλλαγής θερμότητας.
- Μην χρησιμοποιείτε εύφλεκτα αέρια κοντά στο κλιματιστικό.
- Μην αγγίζετε τις σωληνώσεις κατά τη χρήση.
- Σιγουρευτείτε ότι οποιαδήποτε ηλεκτρική συσκευή βρίσκεται τουλάχιστον ένα μέτρο μακριά από την κάθε εσωτερική και εξωτερική μονάδα.

ΠΡΟΦΥΛΑΞΕΙΣ ΚΑΤΑ ΤΗΝ ΕΓΚΑΤΑΣΤΑΣΗ

ΠΡΟΣΟΧΗ!

- Μην προσπαθείτε να εγκαταστήσετε αυτό το κλιματιστικό μόνο σας.
- Αυτή η συσκευή δεν περιέχει εξαρτήματα που μπορούν να επισκευαστούν από τον χρήστη. Συμβουλευτείτε πάντα εξουσιοδοτημένο προσωπικό για οποιαδήποτε επισκευή.
- Όταν μετακομίζετε, συμβουλευτείτε εξουσιοδοτημένο προσωπικό για την αποσύνδεση και την επανασύνδεση της μονάδας.
- Η μονάδα θα πρέπει να είναι γειωμένη.
- Φροντίστε να γίνει η κατάλληλη εγκατάσταση αποστράγγισης.
- Αποφεύγετε την τοποθέτηση του κλιματιστικού κοντά σε χώρους φωτιάς ή άλλα θερμαντικά σώματα.
- Κατά την εγκατάσταση της εξωτερικής και της εσωτερικής μονάδας, λάβετε τις απαραίτητες προφυλάξεις ώστε να μην εισέλθουν στο χώρο μικρά παιδιά.

ΟΝΟΜΑ ΤΩΝ ΕΞΑΡΤΗΜΑΤΩΝ



- ① Πίνακας ελέγχου λειτουργίας
- ② Κουμπί Χειροκίνητου Αυτόματου (MANUAL AUTO)

- ③ Λάμπες ενδείξεων
- ④ Δέκτης σήματος τηλεχειριστηρίου
- ⑤ ένδειξη Λειτουργίας (OPERATION) (Κόκκινη)
- ⑥ ένδειξη Χρονοδιακόπτη (TIMER) (Πράσινη)
- ⑦ Ενδεικτική λυχνία ΠΑΛΙΝΔΡΟΜΙΚΗΣ ΛΕΙΤΟΥΡΓΙΑΣ (SWING) (πορτοκαλί)
- ⑧ Ενδεικτική λυχνία ΠΑΛΙΝΔΡΟΜΙΚΗΣ ΛΕΙΤΟΥΡΓΙΑΣ (SWING) (πορτοκαλί)

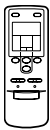
- ⑨ Πλέγμα Εισόδου Αέρος
- ⑩ ΠΑΝΩ / ΚΑΤΩ Περισίδες Διεύθυνσης Αέρος
- ⑪ Κινητός διαχυτήρας
- ⑫ ΔΕΞΙΑ / ΑΡΙΣΤΕΡΑ Αεριστήρες Διεύθυνσης Αέρος (πίσω από τις ΠΑΝΩ / ΚΑΤΩ Περισίδες Διεύθυνσης Αέρος)
- ⑬ Σωλήνας Αποστραγίσεως
- ⑭ Φίλτρο Αέρος

Γενικός Ηλεκτρικός διακόπτης

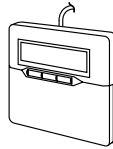
Αυτός ο διακόπτης τοποθετείται κατά την διάρκεια της ηλεκτρικής εγκατάστασης.

Τηλεχειριστήριο (προαιρετικό)

Ασύρματο τηλεχειριστήριο



Ενσύρματο τηλεχειριστήριο



Απλό τηλεχειριστήριο



Για οδηγίες χρήσης, ανατρέξτε στο Εγχειρίδιο Χρήσης κάθε συσκευής.

ΧΕΙΡΟΚΙΝΗΤΗ ΑΥΤΟΜΑΤΗ ΛΕΙΤΟΥΡΓΙΑ

Χρησιμοποιήστε την Χειροκίνητου Αυτόματου (MANUAL AUTO) Λειτουργία στην περίπτωση που το τηλεχειριστήριο χαθεί ή για κάποιο λόγο δεν είναι πρόχειρο.



ΠΡΟΣΟΧΗ!

Μην πιέζετε το κουμπί Χειροκίνητου Αυτόματου (MANUAL AUTO) με υγρά χέρια ή με αιχμηρά αντικείμενα, καθώς ενδέχεται να υποστείτε ηλεκτροπληξία ή να προκληθεί βλάβη.

Έναρξη λειτουργίας

Πατήστε το κουμπί Χειροκίνητου Αυτόματου (MANUAL AUTO) στον πίνακα χειρισμού. Η λειτουργία μπορεί να έχει την παρακάτω ρύθμιση.

Τρόπος Λειτουργίας	AUTO	Όταν είναι αδύνατον να επιλεγεί ο τρόπος λειτουργίας Αυτόματου (AUTO), η συσκευή θα λειτουργεί στον ίδιο τρόπο λειτουργίας με την άλλη εσωτερική μονάδα του ίδιου συστήματος. (Εάν η άλλη εσωτερική μονάδα του ίδιου συστήματος δεν λειτουργεί, το κλιματιστικό θα λειτουργεί στην ψύξη.)
Ταχύτητα Ανεμιστήρα	AUTO	
Ρύθμιση Θερμοκρασίας	23° C	

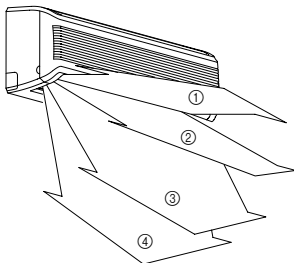
Τερματισμός λειτουργίας

Πατήστε το κουμπί Χειροκίνητου Αυτόματου (MANUAL AUTO) στον πίνακα χειρισμού.

ΡΥΘΜΙΣΗ ΤΗΣ ΔΙΕΥΘΥΝΣΗΣ ΚΥΚΛΟΦΟΡΙΑΣ ΤΟΥ ΑΕΡΑ

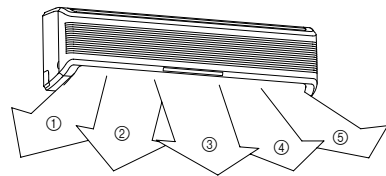
Η κατακόρυφη ροή αέρα μπορεί να ελεγχθεί από το τηλεχειριστήριο. Με τον ίδιο τρόπο μπορεί να ελεγχθεί και η οριζόντια ροή αέρα.

Κατακόρυφη ροή



Ψύξη / Αφύγρανση : ①, ②, ③, ④
Θέρμανση : ①, ②, ③, ④

Οριζόντια ροή



Ψύξη / Αφύγρανση : ①, ②, ③, ④, ⑤
Θέρμανση : ①, ②, ③, ④, ⑤

ΛΕΠΤΟΜΕΡΕΙΕΣ ΛΕΙΤΟΥΡΓΙΑΣ

Λειτουργία και Απόδοση

Σχετικά με την κατάσταση λειτουργίας προτεραιότητας και την κατάσταση λειτουργίας αναμονής

- Μπορούν να συνδεθούν πολλαπλές εσωτερικές μονάδες στο ίδιο σύστημα. Οι επιλογές τρόπου λειτουργίας περιορίζονται, ανάλογα με το σύστημα.

Κατάσταση προτεραιότητας ψύξης	Όταν οι άλλες εσωτερικές μονάδες στο ίδιο σύστημα λειτουργούν σε τρόπο λειτουργίας ψύξης ή αφύγρανσης, δεν μπορεί να επιλεγεί συγχρόνως και η θέρμανση.
Κατάσταση προτεραιότητας θέρμανσης	Όταν οι άλλες εσωτερικές μονάδες στο ίδιο σύστημα λειτουργούν σε τρόπο λειτουργίας θέρμανσης, δεν μπορεί να επιλεγεί συγχρόνως και η ψύξη ή η αφύγρανση.
Κατάσταση αναμονής	Η κατάσταση αναμονής ενεργοποιείται όταν δύο ή περισσότερες εσωτερικές μονάδες τεθούν σε λειτουργία συγχρόνως, σε διαφορετικό τρόπο λειτουργίας. Οι εσωτερικές μονάδες που δεν είναι ρυθμισμένες σε τρόπο λειτουργίας προτεραιότητας θα τεθούν σε αναμονή, ωστόσο αλλάξει ο τρόπος λειτουργίας προτεραιότητας (η λειτουργία αρχίζει μόλις αλλάξει η λειτουργία προτεραιότητας). Τότε, ανάβει η ενδεικτική λυχνία ένδειξη Λειτουργίας (OPERATION) (Κόκκινη) και αναβοσβήνει η ενδεικτική λυχνία ένδειξη Χρονοδιακόπτη (TIMER) (Πράσινη).

Χαμηλή Ψύξη Περιβάλλοντος

- Όταν η εξωτερική θερμοκρασία πέφτει, ο ανεμιστήρας της εξωτερικής μονάδας μπορεί να αλλάξει στην χαμηλή ταχύτητα ή ένας από τους ανεμιστήρες μπορεί να σταματά παροδικά.

Θερμαντική Απόδοση

- Ο τρόπος λειτουργίας θέρμανσης λειτουργεί με βάση την αρχή της αντλίας θερμότητας, απορροφώντας θερμότητα από τον αέρα του περιβάλλοντος και μεταφέροντάς την στον εσωτερικό χώρο. Κατά συνέπεια, η Θερμαντική Απόδοση ελαττώνεται καθώς η θερμοκρασία έξω πέφτει. Εάν διαπιστώσετε ότι η θέρμανση του χώρου είναι ανεπαρκής, συνιστούμε την χρήση αυτού του κλιματιστικού σε συνδυασμό μαζί με άλλους τύπους θερμαντικών συσκευών.
- Στον τρόπο λειτουργίας θέρμανσης ολόκληρο το δωμάτιό σας θερμαίνεται με την ανακυκλοφορία του αέρα σε ολόκληρο το δωμάτιο, οπότε ενδεχομένως να μεσολαβήσει κάποιο χρονικό διάστημα από τη στιγμή που θα τεθεί σε λειτουργία, ωστόσο θερμανθεί το δωμάτιο.

Αυτόματη απόψυξη ελεγχόμενη από μικροϋπολογιστή

- Όταν χρησιμοποιείται η θέρμανση κάτω από συνθήκες χαμηλής εξωτερικής θερμοκρασίας και υψηλής υγρασίας, μπορεί να έχει σαν αποτέλεσμα τον σχηματισμό πάγου μέσα στην εξωτερική μονάδα, ελαττώνοντας την θερμαντική της απόδοση. Για να αποφευχθεί αυτό το είδος μειωμένης απόδοσης αυτή η μονάδα είναι εφοδιασμένη με ένα πρόγραμμα αυτόματη απόψυξη ελεγχόμενη από μικροϋπολογιστή. Εάν ο πάγος σχηματιστεί, το κλιματιστικό θα κάνει μια παροδική διακοπή και το κύκλωμα αποψύξεως θα λειτουργήσει σύντομα (για περίπου 4 ως 15 λεπτά).

Κατά την διάρκεια της Αυτόματης Λειτουργίας Απόψυξης, η ενδεικτική λυχνία ένδειξη Λειτουργίας (OPERATION) (Κόκκινη) θα αναβοσβήνει.

Λειτουργία ανάκτησης λαδιού

- Περιοδικά εκτελείται η λειτουργία ανάκτησης λαδιού προκειμένου να επιστρέψει το λάδι του συμπιεστή στην εξωτερική μονάδα. Στη διάρκεια της διαδικασίας ανάκτησης λαδιού, η ενδεικτική λυχνία ένδειξη Λειτουργίας (OPERATION) (Κόκκινη) θα αναβοσβήνει (για περίπου 10 λεπτά).

Θερμοκρασία και όρια Υγρασίας

- Η θερμοκρασία και η υγρασία που απαιτείται για τη λειτουργία του προϊόντος αυτού παρουσιάζεται στον παρακάτω πίνακα.

	Τρόπος Λειτουργίας Ψύξης / Αφύγρανσης	Θέρμανση
Εξωτερική θερμοκρασία	Ανατρέξτε στις προδιαγραφές για τις εξωτερικές μονάδες.	
Εσωτερική θερμοκρασία	Από 18 έως 32° C περίπου	Από 16 έως 30° C περίπου
Εσωτερική υγρασία	Περίπου 80 % ή λιγότερο	

- Εάν το κλιματιστικό χρησιμοποιείται κάτω από συνθήκες υψηλότερης θερμοκρασίας από αυτές που αναφέρονται εδώ, ενδέχεται να λειτουργήσει το ενσωματωμένο κύκλωμα προστασίας ώστε να αποτραπεί τυχόν βλάβη στο εσωτερικό κύκλωμα. Επίσης, κατά την Ψύξη και την Αφύγρανση, εάν η μονάδα χρησιμοποιείται κάτω από συνθήκες χαμηλότερης θερμοκρασίας από αυτές που αναφέρονται παραπάνω, ο εναλλάκτης θερμότητας ενδέχεται να παγώσει, προκαλώντας διαρροή νερού ή άλλη βλάβη.
- Εάν η μονάδα χρησιμοποιείται για μεγάλες περιόδους κάτω από συνθήκες υψηλής υγρασίας, συμπυκνώσεις μπορεί να σχηματιστούν στην επιφάνεια της εσ. μονάδος και να στάζουν στο πάτωμα ή άλλα αντικείμενα κάτω από την μονάδα.
- Μην χρησιμοποιείτε αυτή την μονάδα, για κανέναν άλλο σκοπό, εκτός από, την Ψύξη, την Θέρμανση, την Αποξήρανση και την ανανέωση του αέρα στους συνήθεις χώρους διαμονής.

ΚΑΘΑΡΙΣΜΟΣ ΚΑΙ ΦΡΟΝΤΙΔΑ



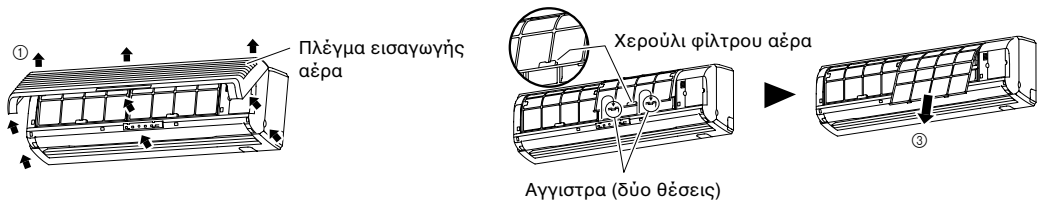
ΠΡΟΣΟΧΗ!

- Πριν το καθάρισμα της μονάδας σιγουρευτείτε ότι διακόψατε την λειτουργία της μονάδας αποσυνδέοντας την παροχή ρεύματος.
- Μην στέκεστε σε ασταθή πλατφόρμα όταν καθαρίζετε.
- Όταν Αφαιρείτε και Ξανατοποθετείτε τα Φίλτρα αέρος βεβαιωθείτε ότι δεν εγγίζετε τον εναλλάκτη θερμότητας διότι μπορεί να προκύψει προσωπικός τραυματισμός.
- Σιγουρευτείτε ότι το πλέγμα εισόδου αέρος είναι τοποθετημένο ασφαλώς.
- Όταν καθαρίζετε το σώμα μην χρησιμοποιείτε νερό θερμότερο από 40° C, σκληρά σφουγγαράκια καθαρισμού ή πηλικά μέσα όπως βενζίνη καθαρισμού ηδιαλυτικά.
- Εάν αφήσετε την βρωμιά να μαζευτεί στο φίλτρο αέρα, η ροή του αέρα θα ελαττωθεί, χαμηλώνοντας την απόδοση, και αυξάνοντας τον θόρυβο λειτουργίας.
Κατά την περίοδο κανονικής χρήσης καθαρίζετε τα φίλτρα περίπου κάθε δυό βδομάδες.

Καθαρίστε τη γρίλια εισαγωγής και το φίλτρο αέρα

1. Αφαιρέστε τη γρίλια εισαγωγής και το φίλτρο αέρα.

- ① Βάλτε τα δάχτυλά σας στα δύο κάτω άκρα του πλέγματος εισαγωγής αέρα και τραβήξτε το προς τα εμπρός. Εάν το πλέγμα φαίνεται σα να μαγκώνει κάπου, συνεχίστε σηκώνοντάς το προσεκτικά προς τα πάνω για να το βγάλετε.
- ② Ανασηκώστε εντελώς τη γρίλια και αφαιρέστε τη.
- ③ Κρατήστε το χερούλι του φίλτρου αέρα από του και τραβήξτε το ελαφρά για να απελευθερώστε τα δύο χαμηλότερα άγγιστρα. Κατόπιν τραβήξτε το προς τα έξω.

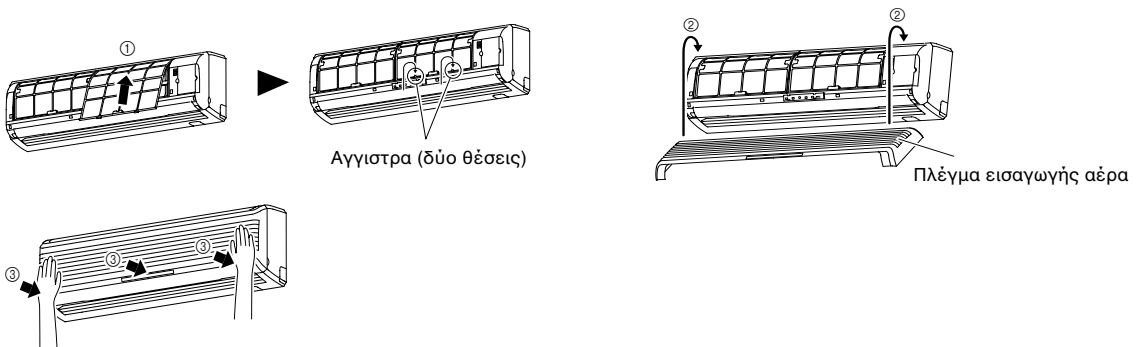


2. Καθαρισμός

- ① Καθαρισμός της γρίλιας εισαγωγής
Αφαιρέστε τη σκόνη με ηλεκτρική σκούπα, πλύνετε τη γρίλια με ζεστό νερό και έπειτα στεγνώστε την με ένα καθαρό, μαλακό πανί.
- ② Καθαρισμός του φίλτρου αέρα
Απομακρύνετε τη σκόνη με ηλεκτρική σκούπα ή με πλύσιμο. Μετά το πλύσιμο, αφήστε το να στεγνώσει καλά σε σκιά προτού το τοποθετήσετε και πάλι.

3. Τοποθετήστε και πάλι τη γρίλια εισαγωγής και το φίλτρο αέρα.

- ① Ευθυγραμμίστε τις άκρες του φίλτρου αέρα με το πρόσθιο φάτνωμα, και σπρώξτε το μέσα μέχρι να σταματήσει, σιγουρεύοντας ότι οι δύο προεξοχές ξαναγύρισαν στην αρχική τους θέση στις τρύπες στο πλαίσιο του φάτνωματος.
- ② Κρατήστε το πλέγμα οριζοντίως και μανταλώστε τα δύο άγγιστρα στο πρόσθιο φάτνωμα.
- ③ Πιέστε και τα δύο κατώτερα άκρα του πλέγματος εισαγωγής αέρα μέχρι να ακούσετε τον ήχο κλικ και το πλέγμα εφαρμόζει επί τόπου.



Καθαρισμός του περιβλήματος

Πλύνετε το περίβλημα με ζεστό νερό και έπειτα στεγνώστε το με καθαρό και μαλακό πανί.

Εάν η συσκευή δεν πρόκειται να χρησιμοποιηθεί για παρατεταμένη περίοδο

Όταν πρόκειται να χρησιμοποιήσετε και πάλι τη συσκευή, αφήστε τον ασφαλειοδιακόπτη ενεργοποιημένο επί τουλάχιστον 12 ώρες προτού τη θέσετε σε λειτουργία.

ΕΠΙΣΗΜΑΝΣΗ ΒΛΑΒΩΝ

Οι παρακάτω συνθήκες δεν είναι βλάβες ή αστοχίες λειτουργίας.

Σύμπτωμα	Πρόβλημα	Δές Σελίδα	
Δεν λειτουργεί αμέσως:	<ul style="list-style-type: none"> ● Εάν η μονάδα είναι σταματημένη και ξαφνικά ξαναεκκινήση ο συμπιεστής δεν θα λειτουργήσει για 3 λεπτά περίπου για να αποφευχθεί κάψιμο της ασφάλειας. ● Στην περίπτωση που ο διακόπτης ασφαλείας ενεργοποιηθεί και στη συνέχεια απενεργοποιηθεί, το κύκλωμα προστασίας θα λειτουργήσει για 3 λεπτά εμποδίζοντας έτσι τη λειτουργία της μονάδος σ' αυτό το διάστημα. 	— —	
Η ροή του αέρα είναι αδύνατη η σταματά:	<ul style="list-style-type: none"> ● Κατά την έναρξη της λειτουργίας Θέρμανσης, ο ανεμιστήρας της εσωτερικής μονάδας μπορεί να σταματήσει ώστε να ζεσταθούν τα εσωτερικά μέρη της μονάδας. ● Κατά τη λειτουργία Θέρμανσης, εάν η θερμοκρασία του χώρου ανέβει πάνω από τη θερμοκρασία του θερμοστάτη, η εσωτερική μονάδα θα σταματήσει όπως και ο ανεμιστήρας της εσωτερικής μονάδας. Εάν επιθυμείτε να θερμάνετε τον χώρο περισσότερο, ρυθμίστε τον θερμοστάτη σε υψηλότερη θερμοκρασία. ● Κατά τη λειτουργία ανάκτησης λαδιού, η ροή του αέρα ενδέχεται να σταματήσει επί περίπου 10 λεπτά. ● Κατά την λειτουργία της Θέρμανσης, η μονάδα θα σταματήσει προσωρινά την λειτουργία (μεταξύ 4 και 15 λεπτών) καθώς η διαδικασία Αυτόματης Λειτουργίας λειτουργεί. ● Ο ανεμιστήρας μπορεί να δουλεύει σε χαμηλή ταχύτητα κατά την Αφύγραση ή όταν η μονάδα ανιχνεύει τη θερμοκρασία του χώρου. ● Στην λειτουργία Αυτόματου ανιχνεύσεως (ΑΥΤΟ), ο ανεμιστήρας θα δουλεύει σε χαμηλή ταχύτητα. 	— — 4 4 — —	
Ενδεικτικές λυχνίες που αναβοσβήνουν:	Η ενδεικτική λυχνία ένδειξη λειτουργίας (OPERATION) (Κόκκινη) αναβοσβήνει:	Εκτελείται λειτουργία ανάκτησης λαδιού.	4
	Η ενδεικτική λυχνία ένδειξη λειτουργίας (OPERATION) (Κόκκινη) αναβοσβήνει:	Εκτελείται λειτουργία αυτόματης απόψυξης.	4
	Η ενδεικτική λυχνία ένδειξη λειτουργίας (OPERATION) (Κόκκινη) και η ενδεικτική λυχνία ένδειξη Χρονοδιακόπτη (TIMER) (Πράσινη) αναβοσβήνουν εναλλακτικά:	Γίνεται επαναφορά μετά από διακοπή ρεύματος.	—
	Η ενδεικτική λυχνία ένδειξη λειτουργίας (OPERATION) (Κόκκινη) και η ενδεικτική λυχνία ένδειξη Χρονοδιακόπτη (TIMER) (Πράσινη) αναβοσβήνουν συγχρόνως:	Λειτουργεί σε δοκιμαστικό τρόπο λειτουργίας. Συμβουλευτείτε κάποιον υπεύθυνο, καθώς ενδέχεται να εκτελείται συντήρηση.	—
	Ανάβει η ενδεικτική λυχνία ένδειξη λειτουργίας (OPERATION) (Κόκκινη) και αναβοσβήνει η ενδεικτική λυχνία ένδειξη Χρονοδιακόπτη (TIMER) (Πράσινη).	Αυτή είναι η κατάσταση αναμονής.	4
Ακούγεται θόρυβος:	<ul style="list-style-type: none"> ● Στις παρακάτω συνθήκες ακούγονται ήχοι νερού που ρέει από την εσωτερική μονάδα και ο ήχος λειτουργίας δυναμώνει. Αυτοί είναι οι ήχοι ροής του ψυκτικού. Κατά την έναρξη λειτουργίας Όταν ολοκληρωθεί η διαδικασία ανάκτησης λαδιού Όταν ολοκληρωθεί η διαδικασία αυτόματης απόψυξης ● Κατά την λειτουργία, ένας ελαφρά τσιριχτός θόρυβος μπορεί να ακουστεί. Πρόκειται για το αποτέλεσμα της διαστολής και της συστολής του πίνακα, λόγω των αλλαγών της θερμοκρασίας. ● Κατά τη διάρκεια του τρόπου λειτουργίας θέρμανσης, ενδέχεται να ακούγεται περιοδικά κάποιος συριγμός. Ο ήχος αυτός προέρχεται από τη λειτουργία αυτόματης απόψυξης. 	— — 4	
Μυρίζει:	<ul style="list-style-type: none"> ● Κάποια μυρωδιά μπορεί να παραγει από την εσωτερική μονάδα. Αυτή η μυρωδιά είναι το αποτέλεσμα των οσμών του χώρου (επίπλυση, καπνός, κλπ.) που έχουν απορροφηθεί μέσα στο κλιματιστικό. 	—	
Από την εσωτερική μονάδα εκλύεται ομίχλη:	<ul style="list-style-type: none"> ● Κατά την Ψύξη, μια λεπτή πάχνη μπορεί να ειδωθεί να βγαίνει από την εσωτερική μονάδα. Αυτό οφείλεται στην απότομη ψύξη του αέρα του χώρου από τον αέρα που εκπέμπεται από το κλιματιστικό, με αποτέλεσμα την συμπύκνωση και την ομίχλη. 	—	
Από την εσωτερική μονάδα εκλύεται ατμός:	<ul style="list-style-type: none"> ● Κατά τη διάρκεια του τρόπου λειτουργίας θέρμανσης, ο ανεμιστήρας της εξωτερικής μονάδας ενδέχεται να σταματήσει και από τη μονάδα μπορεί να εμφανιστεί ατμός. Το φαινόμενο αυτό οφείλεται στη λειτουργία αυτόματης απόψυξης. 	4	
Νερό παράγεται από την εξωτερική μονάδα:	<ul style="list-style-type: none"> ● Κατά τη διάρκεια του τρόπου λειτουργίας θέρμανσης, ενδέχεται να εκρέει νερό λόγω της λειτουργίας αυτόματης απόψυξης. 	—	

Οι παρακάτω συνθήκες ενδέχεται να μην αποτελούν βλάβη, οπότε ελέγξτε τις και πάλι.

Σύμπτωμα	Σημεία για να ελέγξετε	Δές Σελίδα
Δεν λειτουργεί καθόλου:	<ul style="list-style-type: none"> ● Μήπως έγινε διακοπή ρεύματος; ● Μήπως κάηκε η ασφάλεια ή μήπως έπεσε ο αυτόματος; ● Μήπως ο κύριος διακόπτης ισχύος είναι στη θέση OFF; ● Προσπαθείτε να επιλέξετε διαφορετική λειτουργία από την κατάσταση προτεραιότητας; ● Βρίσκεται σε κατάσταση αναμονής; 	— — — 4 4
Η κατάσταση λειτουργίας δεν μπορεί να αλλάξει:	<ul style="list-style-type: none"> ● Προσπαθείτε να επιλέξετε διαφορετική λειτουργία από τις καταστάσεις προτεραιότητας; 	4
Χαμηλή Ψυκτική (ή Θερμαντική) απόδοση:	<ul style="list-style-type: none"> ● Ρυθμίσατε σωστά την θερμοκρασία χώρου (Θερμοστάτης); ● Μήπως το φίλτρο αέρος είναι λερωμένο; ● Μήπως υπάρχει έμφραξη στη θύρα εισόδου ή εξόδου του κλιματιστικού; ● Μήπως υπάρχει παράθυρο η πόρτα ανοικτό; ● Στην περίπτωση Ψύξης μήπως κάποιο παράθυρο επιτρέπει την είσοδο λαμπρού ηλιακού φωτός να εισέλθει; (Κλείστε τις κουρτίνες) ● Στην περίπτωση Ψύξης, μήπως υπάρχουν θερμαντικά σώματα και υπολογιστές μέσα στον χώρο, η μήπως υπάρχουν υπερβολικά άτομα; ● Μήπως η ταχύτητα του ανεμιστήρα έχει ρυθμιστεί πολύ χαμηλά; 	— 5 — — — — —

Στις παρακάτω καταστάσεις, τερματίστε αμέσως τη λειτουργία και επικοινωνήστε με εξουσιοδοτημένο προσωπικό σέρβις.

- Το πρόβλημα είναι αδύνατον να λυθεί, ακόμα και αφού εκτελεστούν οι έλεγχοι αντιμετώπισης προβλημάτων.
- Η ενδεικτική λυχνία ένδειξη Λειτουργίας (OPERATION) (Κόκκινη) αναβοσβήνει πολύ γρήγορα.
- Το ασύρματο τηλεχειριστήριο ή το απλό τηλεχειριστήριο εμφανίζει την ένδειξη EE (όταν συνδεθεί).
- Υπάρχει οσμή καμένου.

ΧΑΡΑΚΤΗΡΙΤΙΚΑΣΤΙΚΑ

ΜΟΝΤΕΛΟ	AS□A18L	AS□A24L	AS□A30L
ΠΗΓΗ ΡΕΥΜΑΤΟΣ	230 V~50 Hz		
ΔΙΑΘΕΣΙΜΟ ΕΥΡΟΣ ΤΙΜΩΝ ΤΑΣΗΣ	198 έως 264 V		
ΨΥΞΗ [kW]	5,40	6,90	8,00
ΘΕΡΜΑΝΣΗ [kW]	5,60	7,80	8,80
ΔΙΑΣΤΑΣΕΙΣ ΚΑΙ ΒΑΡΟΣ			
ΥΨΟΣ [mm]	320		
ΠΛΑΤΟΣ [mm]	1.120		
ΒΑΘΟΣ [mm]	220		
ΒΑΡΟΣ [kg]	16		



- Ενημέρωση Θορύβου: Το μέγιστο επίπεδο θορύβου είναι μικρότερο από 70 dB (A) για την ΕΣΩΤΕΡΙΚΗ και ΕΞΩΤΕΡΙΚΗ ΜΟΝΑΔΑ.
Σύμφωνα με τις οδηγίες IEC 704-1 και ISO 3744.

目录

安全注意事项.....	1	运行提示	4
零件名称	2	清洁和保养	5
手动·自动运行.....	3	故障排除	7
调整空气循环方向	3	规格	8

安全注意事项

- 使用本产品前，请仔细阅读这些“注意事项”并以正确方式进行操作。
- 本章节中的说明全部与安全有关；请务必保持安全操作条件。
- 在这些说明中的“警告”和“注意”具有下列含义：

 警告！	此标记表示如果操作执行不当，可能会导致用户死亡或严重的人身伤害。
 注意！	此标记表示如果操作执行不正确，可能会对用户造成人身伤害或对财产造成损失。

关于使用的注意事项

警告！

- 请不要长时间将自己直接暴露在空调气流之下。
- 请不要将手指或物体插入出气口或回风格栅。
- 请不要通过断开电源线等方法启动和停止空调运行。
- 如果本产品的电源线已损坏，由于需要使用特殊用途工具和指定的电线，只能由授权的维修人员进行更换。
- 如果制冷剂发生泄漏，请将火焰扑灭、将房间通风并与授权的维修人员联系。

注意！

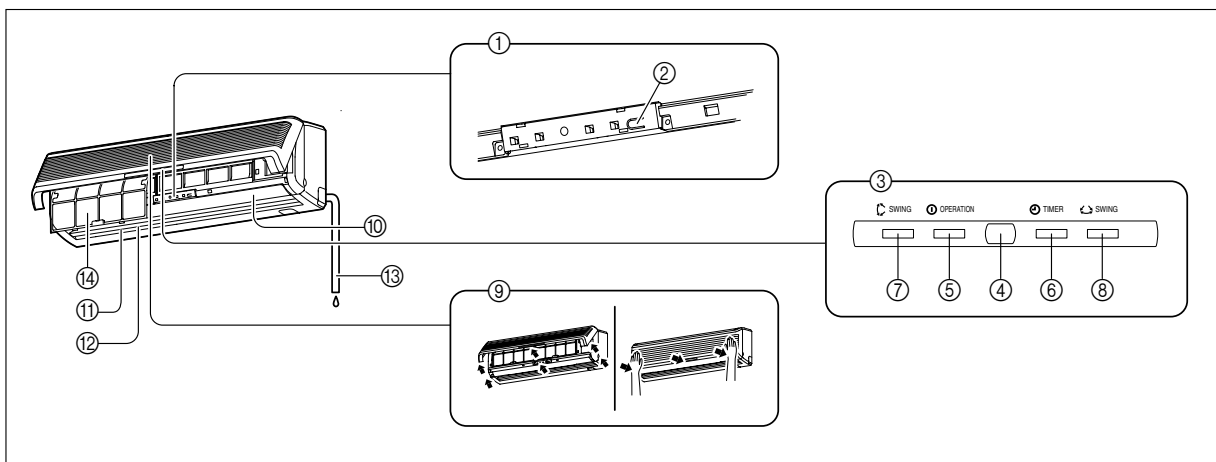
- 使用期间要经常通风。
- 请不要在存放食物、精密设备或艺术品的地方使用本设备。
- 请不要在送风气流的直接通道上放置动物或植物。
- 请不要将送风气流直接指向壁炉或加热设备。
- 请不要阻挡或覆盖吸气口和出气口。
- 请不要攀爬空调，或在空调上面放置物体。
- 请不要在空调顶部上放置花瓶或盛水容器。
- 请不要在室内机上悬挂物体。
- 请不要在不应受潮的室内机下放置任何物体。
- 清洁空调或空气过滤网时，请务必关闭电气断路器。
- 请不要将空调直接朝向水。
- 请不要用湿手操作空调。
- 检查安装支架状况是否损坏。
- 仅在安装空气过滤网时进行操作。
- 请不要饮用从空调排出的水。
- 请不要向散热器片施加过大的压力。
- 请不要在空调附近使用易燃气体。
- 空调运行期间请不要触摸管路。
- 确定电子设备至少离室内机或室外机一米远。

关于安装的注意事项

注意！

- 请不要尝试自行安装空调。
- 本机组内无用户可维修零件。请务必向授权的维修人员咨询修理的相关信息。
- 移动本机前，请务必向授权的维修人员咨询断开和安装的信息。
- 本机组必须接地。
- 请确定已正确进行了排水管路施工。
- 不要将空调安装在壁炉或其它加热设备附近。
- 安装室内机和室外机时，采取措施防止幼儿触及。

零件名称

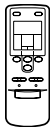
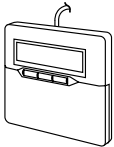



- ① 运行控制面板
- ② 手动·自动按钮 (MANUAL AUTO)
- ③ 指示灯
- ④ 遥控信号接收器
- ⑤ 运行指示灯 (OPERATION) (红色)
- ⑥ 定时器指示灯 (TIMER) (绿色)
- ⑦ 摆动指示灯 (SWING) (橙色)
(垂直摆动)
- ⑧ 摆动指示灯 (SWING) (橙色)
(水平摆动)

- ⑨ 回风格栅
- ⑩ 上/下气流方向导风板
- ⑪ 活动过滤风口
- ⑫ 左/右气流方向导风板
(上/下气流方向导风板之后)
- ⑬ 排水管
- ⑭ 空气过滤网

电气断路器
此断路器已在电气安装期间安装。

控制单元 (选购)

无线遥控器	有线遥控器	简单遥控器
		

关于操作方法, 请参见每个设备的使用说明书。

手动·自动运行

遥控器单元丢失或者其它情况下无法使用遥控器时，使用手动·自动运行（MANUAL AUTO）。



注 意！

请不要用湿手或尖锐物体按手动·自动按钮（MANUAL AUTO），否则可能会导致触电或故障。

开始运行

按运行控制面板上的手动·自动按钮（MANUAL AUTO）。

可以在下列设定中对运行进行设定。

运行模式	AUTO	无法选择自动（AUTO）模式时，空调将以同一系统中其它室内机相同的模式来运行。 （同一系统中的其它室内机无法运行时，空调将以制冷运行。）
风扇转速	AUTO	
设定温度	23℃	

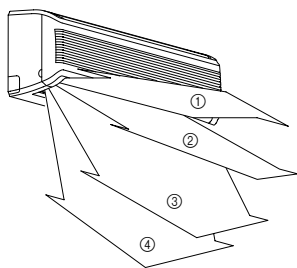
停止运行

按运行控制面板上的手动·自动按钮（MANUAL AUTO）。

调整空气循环方向

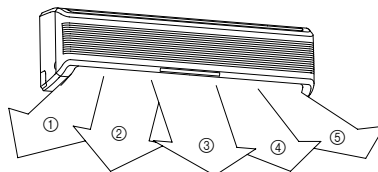
垂直风向可使用控制单元来控制，水平风向也可以相同方式来控制。

垂直方向



制冷和除湿：①、②、③、④
制热：①、②、③、④

水平方向



制冷和除湿：①、②、③、④、⑤
制热：①、②、③、④、⑤

运行提示

运行和性能

关于优先级状态和待机状态

- 在同一系统内可连接多台室内机。根据不同的系统，可选的运行模式受一定的限制。

制冷优先级状态	同一系统内的其它室内机以制冷或除湿模式运行时，则无法同时选择制热。
制热优先级状态	同一系统内的其它室内机以制热模式运行时，则无法同时选择制冷或除湿模式。
待机状态	两台或多台室内机同时以不同模式启动时，待机模式启动。优先级模式之外的室内机将以待机状态等待，直到优先级模式更改（一旦切换优先级后将开始运行）。这时，运行指示灯（OPERATION）（红色）亮起并且定时器指示灯（TIMER）（绿色）闪烁。

低速环境制冷

- 室外温度下降时，室外机风扇可能会切换到低速，或者其中一个风扇可能会间歇停止。

制热性能

- 制热模式主要靠热泵运行，从室外空气吸收热量并将热量传递到室内。这样，室外温度下降时运行性能会下降。如果感觉制热性能不足，建议您同另一种加热设备一起使用本空调。
- 加热模式通过循环房间内的空气将整个房间加热，不过从启动空调直到房间暖和起来可能需要一些时间。

微计算机控制的自动除霜

- 在室外温度低、湿度大的条件下使用制热模式时，室外机上可能会上霜，进而造成运行性能下降。为了防止这种性能下降，本机组配备了微计算机控制的自动除霜功能。如果空调上霜，空调会暂时停止，并且除霜电路会快速运行（约4至15分钟）。在自动除霜运行期间，运行指示灯（OPERATION）（红色）将闪烁。

回油运行

- 会定期进行回油运行，将压缩机油返回室外机。在回油运行期间，运行指示灯（OPERATION）（红色）将闪烁（约10分钟）。

温度和湿度范围

- 运行本产品所需的温度和湿度如下表所示。

	制冷/除湿模式	制热模式
室外温度	请参见室外机的规格。	
室内温度	约18至32℃	约16至30℃
室内湿度	约80%或更低	

- 如果空调在上述所列之外的高温条件下运行，内置的保护电路可能会运行以防止内部电路损坏。另外，制冷或除湿模式期间，如果本机在上述列出范围之外的低温下使用，热交换器可能会冻结，导致漏水和其它损坏。
- 如果本机长时间在高湿度条件下使用，在室内机表面上可能会形成冷凝，并且水滴会滴落在地面或下面的其它物体上。
- 请不要将本机用于普通住宅中制冷、制热、除湿和室内空气循环之外的任何用途。

清洁和保养

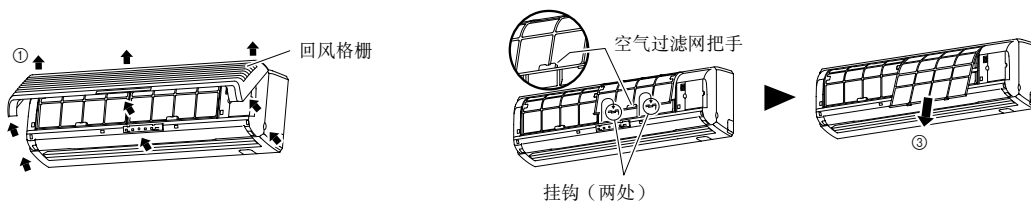
⚠ 注意!

- 清洁本机前，请务必停止本机运行并断开电源。
- 清洁时人员请不要站在不稳定的平台上。
- 拆卸和更换空气过滤网时，请不要触摸热交换器，否则可能会导致人身伤害。
- 确定回风格栅已牢固安装。
- 清洁本机机身时，请不要使用40℃以上的热水、劣质的清洁剂，或者挥发性溶剂如苯或稀释剂。
- 如果在空气过滤网上积聚了灰尘，气流会变小，降低运行效率并增大噪音。
在正常使用期间，空气过滤网应每两周清洁一次。

清洁回风格栅和空气过滤网

1. 拆下回风格栅和空气过滤网。

- ① 将手指放在格栅面板每侧的底部并向前抬起；如果进气格栅在移动过程中被钩住，轻轻地继续向上抬起将其拆下。
- ② 完全提起格栅并拆下。
- ③ 抬起空气过滤网把手，断开下面的两个垂片，然后拉出。

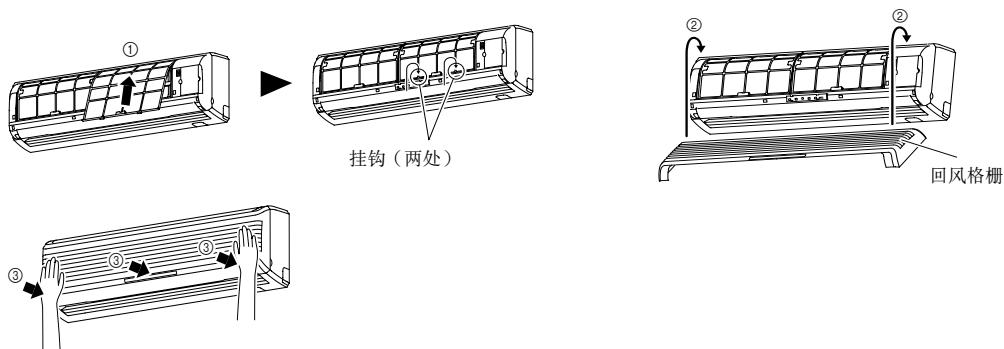


2. 清洁

- ① 清洁回风格栅
用真空吸尘器除去灰尘，用温水清洗格栅，然后用清洁、柔软的布擦干。
- ② 清洁空气过滤网
用真空吸尘器或通过清洗除去灰尘。清洗后，请务必在重新安装前使其在阴凉处彻底干燥。

3. 更换回风格栅和空气过滤网。

- ① 将空气过滤网的两侧对准面板并完全推下，确定下面的两个垂片已正确回到面板中的孔中。
- ② 水平按住回风格栅，将上面的两个挂钩固定到机组上。
- ③ 按下下面的回风格栅将其关闭。



清洁机身

用温水清洗机身，然后用清洁、柔软的布擦干。

长时间不使用时

重新使用时开始运行前，将断路器打开至少12个小时。

故障排除

下面情况并非系统崩溃或运行故障。

症状	问题	参考页	
无法立即运行：	<ul style="list-style-type: none"> ● 如果本机已停止运行然后立即再启动，压缩机在约3分钟内不会运行，以防止保险丝熔断。 ● 电气断路器关闭再重新打开时，保护电路会运行约3分钟，防止机组在此期间运行。 	— —	
气流太弱或停止：	<ul style="list-style-type: none"> ● 开始制热运行时，室内机风扇可能会暂时停止，使内部零件预热。 ● 在制热运行期间，如果室内温度上升到恒温器设定以上，室内机将停止运行并且室内机风扇将停止。如果想让房间更暖和些，请将恒温器设定到更高的设定。 ● 在回油运行期间，气流可能会停止约10分钟。 ● 制热运行期间，自动除霜模式运行时，本机将暂时停止运行（4至15分钟）。 ● 除湿运行期间或者本机正在监控室温时，风扇可能会以低速运行。 ● 在监控自动运行（AUTO）时，风扇将以低速运行。 	— — 4 4 — —	
指示灯闪烁：	运行指示灯（OPERATION）（红色）闪烁时：	正在进行回油运行。	4
	运行指示灯（OPERATION）（红色）闪烁时：	正在进行自动除霜运行。	4
	运行指示灯（OPERATION）（红色）和定时器指示灯（TIMER）（绿色）交替闪烁时：	刚从电源中断中恢复。	—
	运行指示灯（OPERATION）（红色）和定时器指示灯（TIMER）（绿色）同时闪烁时：	正在试运行模式运行。 请向管理员询问是否可能正在进行维护。	—
	运行指示灯（OPERATION）（红色）亮起并且定时器指示灯（TIMER）（绿色）闪烁时：	这是待机状态。	4
听到噪音：	<ul style="list-style-type: none"> ● 下列情况下室内机有水流声音并且运行声音变大。这是制冷剂流动的声音。 运行开始时 回油运行完成时 自动除霜运行完成时 ● 运行期间，可能会听到轻微的吱吱声。这是由于温度变化而导致面板的细微膨胀和收缩。 ● 制热运行期间，可能偶尔会听到嗡嗡声。这是自动除霜运行产生的声音。 	— — 4	
	气味：	● 室内机可能会散发出一些气味。这是被空调吸入的室内气味（家具、烟草等）。	—
	从室内机散发出雾气：	● 制冷运行期间，可能会看到从室内机散发出薄雾。这是由于从空调散发出的空气而造成的室内空气突然制冷，进而造成冷凝和发出薄雾。	—
从室内机散发出蒸气：	● 制热运行期间，室外机风扇可能会停止运行，并且可能会看到从机组散发出蒸气。这是自动除霜运行造成的。	4	
从室外机产生水滴：	● 制热运行期间，由于自动除霜运行室外机可能会产生水滴。	—	

下列状况可能不是系统崩溃，因此请重新检查。

症状	检查项目	参考页
根本无法运行：	<ul style="list-style-type: none"> ● 是否有电源故障？ ● 保险丝是否熔断，或者电路断路器是否已跳闸？ ● 主电源开关是否设定在OFF（关）位置？ ● 您是否尝试运行与优先级状态不同的模式？ ● 是否在待机状态？ 	— — — 4 4
运行模式无法更改：	<ul style="list-style-type: none"> ● 您是否尝试更改为与优先级状况不同的模式？ 	4
制冷（或制热）性能差：	<ul style="list-style-type: none"> ● 是否已正确地调整了室温设定（恒温器）？ ● 空气过滤网是否变脏？ ● 空调的吸气口或出气口是否阻塞？ ● 窗户或门是否打开？ ● 进行制冷运行时，阳光是否可从窗口进入？（请关闭窗帘） ● 进行制冷运行时，室内是否有加热设备和计算机？或者室内是否有很多人？ ● 风扇转速是否设定为低？ 	— 5 — — — — —

在下列情况下，请立即停止运行并与授权的维修人员联系。

- 即使进行了故障排除检查，也无法解决问题。
- 运行指示灯（OPERATION）（红色）闪烁地非常快。
- 有线遥控器或简单遥控器指示EE（连接时）。
- 有烧焦的气味。

规格

机型	AS□A18L	AS□A24L	AS□A30L
电源	230V~50Hz		
可用电压范围	198至264V		
制冷能力	[kW] 5.40	6.90	8.00
制热能力	[kW] 5.60	7.80	8.80
尺寸和重量			
高度	[mm]	320	
宽度	[mm]	1,120	
深度	[mm]	220	
重量	[kg]	16	



- 噪声信息：室内机和室外机的最大声压级小于70 dB (A)。根据IEC 704-1 和 ISO 3744标准。

СОДЕРЖАНИЕ

МЕРЫ ПРЕДОСТОРОЖНОСТИ	1	СОВЕТЫ ПО ЭКСПЛУАТАЦИИ	4
НАЗВАНИЯ ЧАСТЕЙ	2	ЧИСТКА И УХОД	5
РЕЖИМ ЭКСПЛУАТАЦИИ РУЧНОЙ АВТО	3	НЕПОЛАДКИ	7
РЕГУЛИРОВАНИЕ НАПРАВЛЕНИЯ ЦИРКУЛЯЦИИ ВОЗДУХА	3	ТЕХНИЧЕСКИЕ ХАРАКТЕРИСТИКИ	8

МЕРЫ ПРЕДОСТОРОЖНОСТИ

- До установки прибора убедитесь, что вы внимательно прочли эти "Меры предосторожности" и можете правильно эксплуатировать прибор.
- Все инструкции этого раздела посвящены безопасному использованию системы; обеспечьте необходимые условия для безопасной работы.
- Параграфы с пометками "ПРЕДУПРЕЖДЕНИЕ" и "ОСТОРОЖНО" имеют следующие значения в данном руководстве:

 ПРЕДУПРЕЖДЕНИЕ!	Этим символом помечены инструкции, неправильное выполнение которых может привести к гибели или серьезной травме пользователя.
 ВНИМАНИЕ!	Этим символом помечены инструкции, неправильное выполнение которых может привести к травме пользователя или нанесению ущерба имуществу.

МЕРЫ ПРЕДОСТОРОЖНОСТИ ПРИ ЭКСПЛУАТАЦИИ

ПРЕДУПРЕЖДЕНИЕ!

- Избегайте длительного прямого воздействия потока воздуха, выходящего из кондиционера.
- Не помещайте пальцы или какие-либо предметы в выходной порт или воздухозаборные решетки.
- Не включайте или выключайте воздушный кондиционер при помощи вилки электросети.
- Если шнур электропитания прибора поврежден, обратитесь к специализированной службе сервиса, поскольку для его замены потребуются специальные инструменты и шнур, соответствующий технической спецификации.
- Если произойдет утечка какого-либо хладагента, погасите пламя (если оно возникнет), провентилируйте помещение и обратитесь к специализированной службе сервиса.

ВНИМАНИЕ!

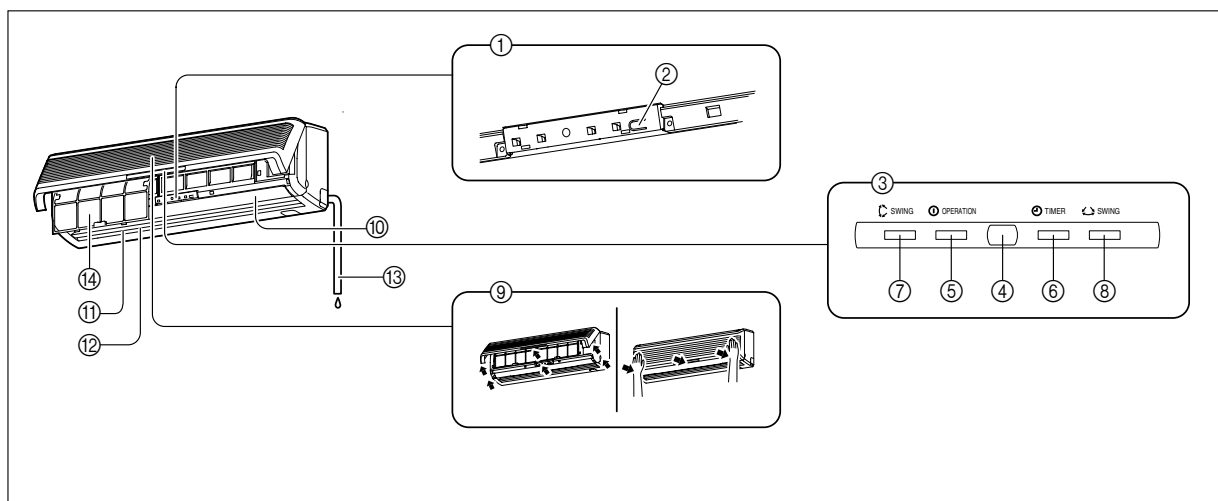
- Обеспечьте периодическое проветривание помещения при пользовании прибором.
- Не используйте прибор в помещениях для хранения пищи, в помещениях, где находится точное оборудование, а также в помещениях, где находятся произведения искусства.
- Не помещайте под прямой поток воздуха домашних животных или растений.
- Не направляйте поток воздуха прямо на нагревательные приборы или камины.
- Не блокируйте и не закрывайте каналы забора и выхода воздуха.
- Не становитесь на кондиционер воздуха и не помещайте на него предметы.
- Не ставьте вазы с цветами или сосуды с водой на кондиционер воздуха.
- Не вешайте предметы на внутренний прибор.
- Не ставьте никакие предметы под внутренним прибором, которые портятся от попадания на них влаги.
- Всегда выключайте прерыватель электропитания при чистке кондиционера воздуха или воздушного фильтра.
- Не подвергайте кондиционер воздуха непосредственному воздействию воды.
- Не прикасайтесь к кондиционеру воздуха мокрыми руками.
- Проверьте состояние установочного стенда и убедитесь, что он не поврежден.
- Эксплуатируйте только с установленными фильтрами воздуха.
- Не пейте воду, стекающую из кондиционера воздуха.
- Не надавливайте на лопасти радиатора.
- Не используйте вблизи от кондиционера воздуха воспламеняющихся газов.
- Не прикасайтесь к трубопроводам во время работы прибора.
- Убедитесь, что любое электронное оборудование расположено не менее, чем на один метр от внутреннего и наружного прибора.

МЕРЫ ПРЕДОСТОРОЖНОСТИ ПРИ УСТАНОВКЕ

ВНИМАНИЕ!

- Не пытайтесь самостоятельно устанавливать кондиционер воздуха.
- В этом приборе нет частей, обслуживаемых пользователем. Всегда обращайтесь к уполномоченному сервисному персоналу, если требуется отремонтировать этот прибор.
- Всегда обращайтесь к уполномоченному сервисному персоналу, если требуется отсоединить или установить этот прибор при переезде.
- Прибор должен иметь заземление.
- Убедитесь в том, что правильно произведены дренажные работы по отведению дренажа от кондиционера.
- Избегайте устанавливать кондиционер воздуха около камина или нагревательного прибора.
- При установке внутреннего и внешнего устройств позаботьтесь об ограничении доступа детей в места установки.

НАЗВАНИЯ ЧАСТЕЙ



① Эксплуатационная панель управления

② Кнопки РУЧНОГО и АВТО режима (MANUAL AUTO)

③ Индикаторные лампочки

④ Приемник сигнала дистанционного управления

⑤ Светоиндикатор ЭКСПЛУАТАЦИИ (OPERATION) (красный)

⑥ Светоиндикатор ТАЙМЕРА (TIMER) (зеленый)

⑦ Светоиндикатор РЕЖИМА SWING (оранжевый) (ВЕРТИКАЛЬНЫЙ SWING)

⑧ Светоиндикатор РЕЖИМА SWING (оранжевый) (ГОРИЗОНТАЛЬНЫЙ SWING)

⑨ Воздухозаборная решетка

⑩ Лопasti направления воздуха ВВЕРХ/ВНИЗ

⑪ Подвижной диффузор

⑫ Лопasti направления воздуха ВПРАВО/ВЛЕВО (за лопастями направления воздуха ВВЕРХ/ВНИЗ)

⑬ Сливной шланг

⑭ Фильтр воздуха

Прерыватель электроцепи

Этот прерыватель устанавливается при выполнении электропроводки.

Блок управления (по выбору пользователя)

Беспроводной пульт дистанционного управления	Проводной пульт дистанционного управления	Упрощенный пульт дистанционного управления
		

Метод управления описан в Инструкции по эксплуатации каждого из этих устройств.

РЕЖИМ ЭКСПЛУАТАЦИИ РУЧНОЙ АВТО

Используйте режим РУЧНОЙ АВТО (MANUAL AUTO), если потерян или недоступен пульт дистанционного управления.



Запрещается нажимать кнопку режима РУЧНОГО АВТО (MANUAL AUTO) мокрыми руками или заостренными предметами – это может привести к поражению электротоком или неисправной работе прибора.

Пуск

Нажмите на кнопку РУЧНОЙ АВТО (MANUAL AUTO) на панели управления.

Режим работы прибора может быть задан следующим образом:

Режим работы	AUTO	Если нельзя выбрать режим Авто (Auto), кондиционер будет работать в таком же режиме как и другой прибор той же системы. (Если другой прибор той же системы не работает, то кондиционер будет работать в режиме охлаждения.)
Скорость вентилятора	AUTO	
Установленная температура	23 °C	

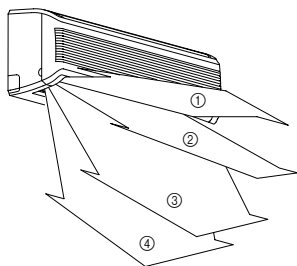
Останов

Нажмите на кнопку РУЧНОЙ АВТО (MANUAL AUTO) на панели управления.

РЕГУЛИРОВАНИЕ НАПРАВЛЕНИЯ ЦИРКУЛЯЦИИ ВОЗДУХА

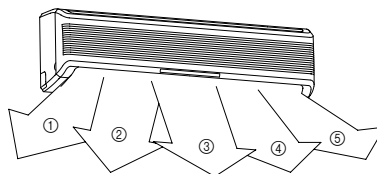
Вертикальное направление выходного потока воздуха можно отрегулировать с помощью управляющей панели. Горизонтальное направление выходного потока воздуха можно отрегулировать таким же образом.

Вертикальное направление



Охлаждение/Сушка : ①, ②, ③, ④
Отопление : ①, ②, ③, ④

Горизонтальное направление



Охлаждение/Сушка : ①, ②, ③, ④, ⑤
Отопление : ①, ②, ③, ④, ⑤

СОВЕТЫ ПО ЭКСПЛУАТАЦИИ

Эксплуатация и Результаты

Приоритетное состояние и резервная готовность

- Многочисленные внутренние приборы могут быть соединены в пределах одной и той же системы. В зависимости от вида системы, выбор режима работы может быть ограничен.

Приоритетное состояние Охлаждение	Когда другие внутренние приборы в пределах одной и той же системы работают в режиме охлаждения или сушки, нельзя переключить прибор в режим отопления.
Приоритетное состояние Отопление	Когда другие внутренние приборы в пределах одной и той же системы работают в режиме отопления, нельзя переключить прибор в режим охлаждения или сушки.
Резервная готовность	Резервная готовность активируется когда два или более внутренних прибора запускаются в одно и то же время в разных режимах. Любой внутренний прибор, не находящийся в приоритетном состоянии, будет находиться в состоянии резервной готовности пока его приоритетное состояние не изменится (прибор начинает работать как только изменяется его приоритетное состояние). В это же время загорается Светоиндикатор ЭКСПЛУАТАЦИИ (OPERATION) (красный), а Светоиндикатор ТАЙМЕРА (TIMER) (зеленый) начинает мигать.

Охлаждение при низкой температуре снаружи

- При понижении температуры снаружи вентиляторы наружного прибора могут переключиться на работу на малой скорости.

Результаты в режиме Отопление

- Работа прибора в режиме отопления основана на принципе теплового насоса, в результате чего тепло, поглощенное из наружного воздуха, передается вовнутрь помещения. Поэтому результаты работы снижаются при понижении температуры снаружи. Если результаты отопления помещения недостаточны, мы рекомендуем использовать этот кондиционер воздуха вместе с другим нагревательным прибором.
- Прибор в режиме отопления нагревает все помещение за счет рециркуляции воздуха через все жилое помещение; таким образом, после начала работы прибора и до прогрева помещения необходимо чтобы прошло некоторое время.

Контролируемое микрокомпьютером Автоматическое Размораживание

- При использовании режима Отопление и при низкой температуре воздуха снаружи и при большой влажности на наружном приборе может образоваться изморозь, в результате чего эксплуатационные показатели снижаются. Для предотвращения снижения эксплуатационных показателей данный прибор оснащен функцией Автоматического Размораживания, которая контролируется микрокомпьютером. При образовании изморози кондиционер воздуха временно прекращает работу и в течение краткого периода работает цикл размораживания (приблизительно от 4 до 15 минут).
Во время действия функции Автоматического Размораживания Светоиндикатор ЭКСПЛУАТАЦИИ (OPERATION) (красный) мигает.

Функция возврата масла

- Периодически осуществляется функция возврата масла, чтобы вернуть компрессорное масло к внешнему блоку. Во время выполнения функции возврата масла Светоиндикатор ЭКСПЛУАТАЦИИ (OPERATION) (красный) мигает (приблизительно от 10 минут).

Диапазон температуры и влажности

- Температура и влажность воздуха необходимые для эксплуатации прибора приведены в нижеследующей таблице.

	Режим Охлаждение/Сушка	Режим Отопление
Температура снаружи	Обратитесь к технической характеристике внешних приборов.	
Температура внутри	Приблизительно от 18 до 32 °C	Приблизительно от 16 до 30 °C
Влажность внутри	Приблизительно 80 % или менее	

- При использовании кондиционера воздуха в условиях более высокой температуры по сравнению с указанной может сработать встроенный цикл защиты для предотвращения повреждения внутренней схемы. Также в режимах Охлаждение и Сушка при использовании прибора в условиях более низкой температуры по сравнению с указанной может заморозиться теплообменник, что приведет к утечке воды и другим повреждениям.
- При продолжительном использовании прибора в условиях большой влажности на поверхностях внутреннего прибора может образоваться конденсация и влага будет капать на пол или на предметы, расположенные под прибором.
- Не используйте прибор для каких-либо иных целей, кроме Охлаждения, Отопления, Ликвидации влажности и циркулирования воздуха в обычном помещении.

ЧИСТКА И УХОД

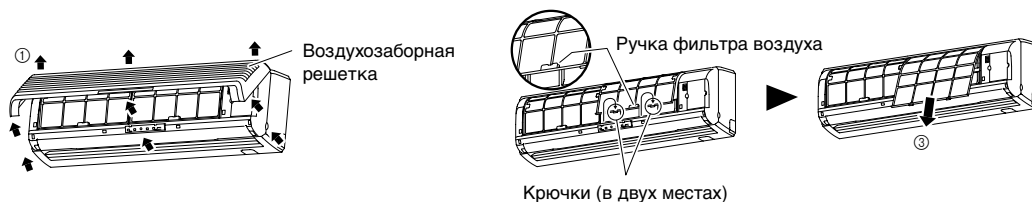
ВНИМАНИЕ!

- Перед очисткой устройства необходимо убедиться, что оно выключено, и отсоединено от источника питания.
- Не стойте на неустойчивой платформе во время очистки.
- Во время снятия и замены фильтров воздуха запрещается прикасаться к теплообменнику, так как это может привести к личной травме.
- Убедитесь в том, что воздухозаборная решетка закреплена надежно.
- При чистке корпуса прибора не используйте воду горячее, чем 40 °С, сильнодействующие чистящие средства или такие летучие вещества, как бензин или растворитель.
- При скоплении грязи на фильтре воздуха поток воздуха будет меньшим, что снизит эффективность эксплуатации и усилит шум.
При обычном режиме использования фильтры воздуха следует чистить каждые две недели.

Очистка воздухозаборной решетки и воздушного фильтра

1. Снимите воздухозаборную решетку и воздушный фильтр.

- ① Пальцами возьмитесь внизу с каждой стороны за панель решетки и приподнимите её на себя. Если Вам покажется, что воздухозаборная решетка задерживается на полпути своего движения, осторожно продолжайте приподнимать её вверх, чтобы снять.
- ② Полностью поднимите воздухозаборную решетку, чтобы снять ее.
- ③ Поднимите вверх ручки фильтра воздуха, расфиксируйте два нижних язычка, и, потянув на себя, снимите его.

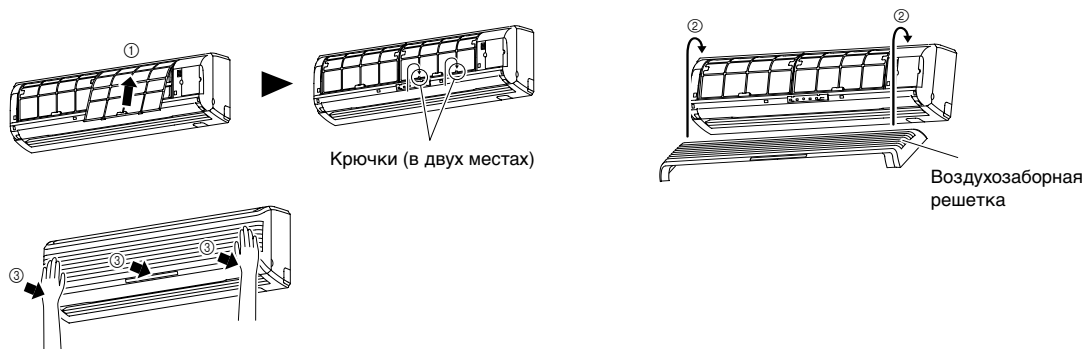


2. Очистка

- ① Очистка воздухозаборной решетки
Удалите пыль пылесосом; затем протрите решетку тканью, смоченной в теплой воде; затем просушите чистой мягкой тканью.
- ② Очистка воздушного фильтра
Удалите пыль пылесосом или путем смывки. После смывки, до установки фильтра, обязательно тщательно просушите его, избегая прямого солнца.

3. Замена воздухозаборной решетки и воздушного фильтра.

- ① Установите края фильтра воздуха в уровень с панелью и нажмите до упора, следя за тем, чтобы два нижних язычка полностью вошли в предназначенные для них отверстия на панели.
- ② Удерживая воздухозаборную решетку в горизонтальном положении, закрепите два верхних крючка, расположенных на приборе.
- ③ Чтобы закрыть воздухозаборную решетку, надавите на оба нижних ее угла.



Очистка корпуса прибора

Промойте корпус теплой водой, затем просушите чистой мягкой тканью.

Если прибор не будет в эксплуатации в течение продолжительного времени

Оставьте прерыватель электропитания включенным, по крайней мере на 12 часов, до первичного пуска после длительного простоя.

НЕПОЛАДКИ

Нижеследующие случаи не являются неисправностями или отказами в работе:

Симптом	Проблема	См. стр.	
Кондиционер не начинает немедленно работать:	<ul style="list-style-type: none"> ● Если прибор останавливают, а затем немедленно снова запускают, то компрессор не будет работать в течение приблизительно 3 минут, чтобы предотвратить перегорание предохранителей. ● Когда включают, а затем снова выключают прерыватель электроцепи, в течение приблизительно 3 минут срабатывает защита электроцепи, и в это время прибор не функционирует. 	— —	
	<ul style="list-style-type: none"> ● Когда начинает функционировать режим отопления, вентилятор внутреннего прибора может временно остановиться, чтобы позволить прогреться внутренним частям. ● Во время работы в режиме отопления, если температура в помещении поднимается выше установки термостата, наружный прибор и вентилятор внутреннего прибора останавливаются. Если требуется продолжать нагрев помещения, установите термостат на более высокое значение. ● Во время функции возврата масла поток воздуха может прекратиться примерно на 10 минут. ● Во время работы в режиме Отопление прибор временно останавливается (от 4 до 15 минут) в результате действия функции Автоматического Размораживания. ● Вентилятор может работать на низкой скорости во время работы в режиме Сушка или при мониторинге температуры в помещении. ● Во время мониторинга в режиме АВТО (AUTO) вентилятор работает на низкой скорости. 	— — 4 4 — —	
Мигание светоиндикаторов:	Мигает Светоиндикатор ЭКСПЛУАТАЦИИ (OPERATION) (красный):	Производится операция по возврату масла.	4
	Мигает Светоиндикатор ЭКСПЛУАТАЦИИ (OPERATION) (красный):	Производится операция по автоматическому размораживанию.	4
	Попеременно мигают Светоиндикатор ЭКСПЛУАТАЦИИ (OPERATION) (красный) и Светоиндикатор ТАЙМЕРА (TIMER) (зеленый):	Прибор вернулся в рабочее состояние после перебоя в электроснабжении.	—
	Одновременно мигают Светоиндикатор ЭКСПЛУАТАЦИИ (OPERATION) (красный) и Светоиндикатор ТАЙМЕРА (TIMER) (зеленый):	Прибор работает в пробном режиме. Возможно проведение технической профилактики.	—
	Мигают Светоиндикатор ЭКСПЛУАТАЦИИ (OPERATION) (красный) и Светоиндикатор ТАЙМЕРА (TIMER) (зеленый):	Прибор в состоянии резервной готовности.	4
Слышен шум:	<ul style="list-style-type: none"> ● В нижеследующих случаях слышны звуки воды, вытекающей из внутреннего прибора и звук работающего прибора становится громче. Это звуки течения хладагента. В начале работы По окончании функции возврата масла По окончании функции автоматического размораживания ● Во время работы может быть слышен слабый скрип. Это результат незначительного расширения и сжатия панели в связи с изменением температуры. ● Во время режима обогрева иногда может быть слышно шипение. Этот звук возникает во время операции автоматического размораживания. 	— — 4	
	Запахи:	<ul style="list-style-type: none"> ● Из внутреннего прибора может исходить слабый запах. Этот запах возникает из-за запахов в помещении (запах мебели, табака и т.д.), которые скопились в кондиционере. 	—
	Туман виден на выходе из внутреннего прибора:	<ul style="list-style-type: none"> ● Во время работы в режиме Охлаждение можно видеть, как из внутреннего прибора выделяется небольшая дымка. Это возникает в результате резкого Охлаждения воздуха помещения воздухом, поступающим из кондиционера воздуха, что приводит к конденсации и образованию легкого тумана. 	—
Пар виден на выходе из внутреннего прибора:	<ul style="list-style-type: none"> ● Во время режима обогрева вентилятор внешнего устройства может прекратить вращение, а также можно увидеть пар, выходящий из устройства. Это происходит вследствие операции автоматического размораживания. 	4	
Из наружного прибора выделяется вода:	<ul style="list-style-type: none"> ● Во время обогрева вода может вытекать из внешнего устройства при процессе размораживания. 	—	

Нижеследующие случаи могут не являются признаками неисправности, поэтому рекомендуется дополнительная проверка.

Симптом	Что проверить	См. стр.
Пондиционер совсем не работает:	● Может быть, был перебой в подаче электроэнергии?	—
	● Может быть, перегорел предохранитель или сработал прерыватель электроцепи?	—
	● Переключатель питания POWER установлен в положение OFF (ВЫКЛ.)?	—
	● Пытаетесь ли вы запустить прибор в режиме, отличающемся от приоритетного состояния?	4
	● Находится ли прибор в резервной готовности?	4
Нельзя изменить режим работы прибора:	● Пытаетесь ли вы переключить прибор в режим работы, отличающийся от приоритетных режимов?	4
Плохие результаты в режиме Охлаждение (или Обогрев):	● Может быть, неправильно установлено значение температуры на термостате?	—
	● Может быть, загрязнен фильтр воздуха?	5
	● Заблокированы ли каналы забора и выхода воздуха кондиционера?	—
	● Может быть, открыто окно или дверь?	—
	● Может быть, при работе в режиме Охлаждение через окно поступает яркий солнечный свет? (Задержите занавески).	—
	● Может быть, при работе в режиме Охлаждение в помещении работает нагревательный прибор или компьютеры, или в помещении слишком много людей?	—
	● Скорость вентилятора слишком низкая?	—

В нижеследующих случаях немедленно остановите работу прибора и обратитесь к специализированной службе сервиса.

- Проблема остается даже после проведения проверок на обнаружение неисправности.
- Происходит частое мигание Светоиндикатор ЭКСПЛУАТАЦИИ (OPERATION) (красный).
- На проводном или упрощенном беспроводном пульте дистанционного управления появляются символы EE (при присоединении).
- Ощущается запах гари.

ТЕХНИЧЕСКИЕ ХАРАКТЕРИСТИКИ

МОДЕЛЬ	AS□A18L	AS□A24L	AS□A30L
ИСТОЧНИК ЭЛЕКТРОПИТАНИЯ	230 V~50 Hz		
ДОСТУПНЫЙ ДИАПАЗОН НАПРЯЖЕНИЯ	от 198 до 264 V		
МОЩНОСТЬ ОХЛАЖДЕНИЯ [кВт]	5,40	6,90	8,00
МОЩНОСТЬ ОТОПЛЕНИЯ [кВт]	5,60	7,80	8,80
ГАБАРИТЫ И МАССА			
Высота [мм]	320		
Ширина [мм]	1.120		
Глубина [мм]	220		
Вес [кг]	16		



- Информация об акустических шумах: Максимальный уровень давления звука менее 70 дБ (А) как для внутреннего, так и для наружного прибора.
Соответствует стандартам IEC 704-1 и ISO 3744.

ÍNDICE

PRECAUÇÕES DE SEGURANÇA	1	SUGESTÕES PARA O FUNCIONAMENTO	4
NOMENCLATURA	2	LIMPEZA E CUIDADOS	5
OPERAÇÃO MANUAL AUTOMÁTICA	3	DETECÇÃO E RESOLUÇÃO DE PROBLEMAS	7
REGULAÇÃO DA DIRECÇÃO DE		ESPECIFICAÇÕES	8
CIRCULAÇÃO DO AR	3		

PRECAUÇÕES DE SEGURANÇA

- Antes de utilizar o aparelho, leia atentamente estas “PRECAUÇÕES” e utilize-o do modo correcto.
- As instruções nesta secção relacionam-se todas com a segurança; certifique-se de que mantém as condições de funcionamento seguro.
- Nestas instruções, “AVISO” e “CUIDADO” têm os seguintes significados:

 AVISO!	Este sinal indica procedimentos que, se incorrectamente realizados, poderão levar à morte ou a ferimentos graves para o utilizador.
 CUIDADO!	Este sinal indica procedimentos que, se incorrectamente realizados, poderão possivelmente resultar em ferimentos pessoais no utilizador ou danos no equipamento.

PRECAUÇÕES DE UTILIZAÇÃO

AVISO!

- Não exponha as pessoas ao vento directo do ar condicionado por um longo período de tempo.
- Não coloque os dedos ou objectos nas portas de entrada e saída do ar.
- Não inicie nem interrompa o funcionamento do ar condicionado desligando o cabo da fonte de alimentação.
- Se o cabo da fonte de alimentação deste aparelho estiver danificado deve ser substituído pelo pessoal de serviço autorizado, uma vez que é necessária a utilização de ferramentas específicas e de um cabo de alimentação específico.
- Se ocorrer alguma fuga do refrigerante, apague quaisquer chamas, ventile a sala e entre em contacto com o pessoal de serviço autorizado.

CUIDADO!

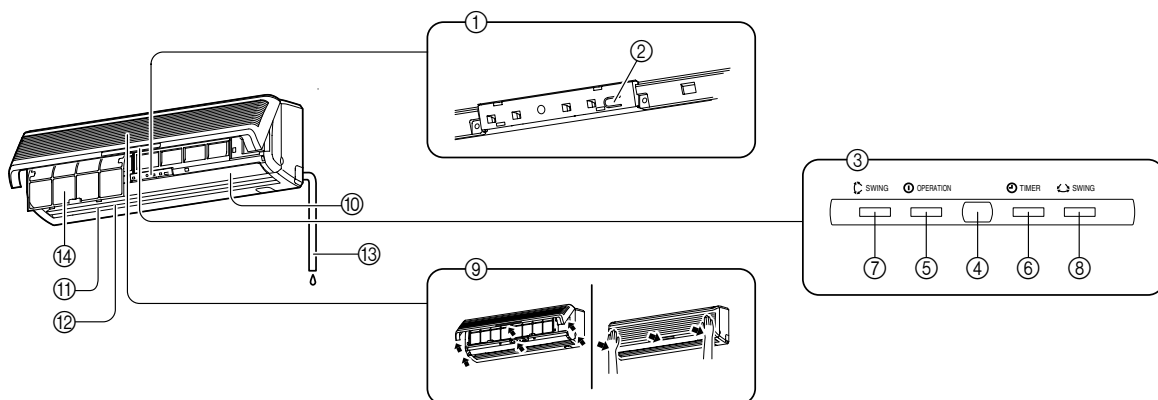
- Durante a utilização, providencie uma ventilação ocasional.
- Não utilize em aparelhos que envolvem o armazenamento de alimentos, equipamento de precisão ou trabalhos de arte.
- Não coloque animais ou plantas directamente na passagem do fluxo de ar.
- Não dirija o fluxo de ar para fogões de sala ou aquecedores.
- Não bloqueie nem tape a porta de entrada e a porta de saída.
- Não se pendure nem coloque objectos no Aparelho de Ar Condicionado.
- Não coloque vasos de flores ou recipientes com água em cima do Aparelho de Ar Condicionado.
- Não pendure objectos na unidade interior.
- Não coloque nada por baixo da unidade interior que não possa ser molhado.
- Desligue sempre o disjuntor eléctrico para limpar o aparelho de ar condicionado ou o filtro de ar.
- Não exponha o Aparelho de Ar Condicionado directamente à água.
- Não opere o Aparelho de Ar Condicionado com as mãos molhadas.
- Verifique o estado do local de instalação.
- Utilizar apenas com os filtros de ar instalados.
- Não beba a água drenada do Aparelho de Ar Condicionado.
- Não aplique nenhuma pressão nas aletas do radiador.
- Não utilize gases inflamáveis próximo do Aparelho de Ar Condicionado.
- Não toque nas tubagens durante o seu funcionamento.
- Assegure-se de não existe nenhum equipamento electrónico a menos de um metro das unidades interior e exterior.

PRECAUÇÕES DE INSTALAÇÃO

CUIDADO!

- Não tente instalar o Aparelho de Ar Condicionado sem ajuda.
- Esta unidade não contém peças que possam ser reparadas pelo utilizador. A reparação deverá ser sempre realizada pela assistência técnica autorizada.
- Quando for necessário mudar o Aparelho de Ar Condicionado de local, contacte a assistência técnica autorizada para a remoção e reinstalação do equipamento.
- A unidade tem de ter ligação à terra.
- Certifique-se de que o escoamento é implementado adequadamente para a drenagem.
- Evite instalar o Aparelho de Ar Condicionado próximo de fogões de sala ou outros aparelhos de aquecimento.
- Quando instalar as unidades interior e exterior, tenha o cuidado de evitar o acesso das crianças.

NOMENCLATURA



- ① Painel de Controlo
- ② Botão MANUAL AUTO
- ③ Lâmpadas indicadoras
- ④ Receptor de Sinal do Controlo Remoto
- ⑤ Lâmpada Indicadora OPERATION (vermelha)
- ⑥ Lâmpada indicadora TIMER (verde)
- ⑦ Lâmpada Indicadora SWING (laranja) (OSCILAÇÃO VERTICAL)
- ⑧ Lâmpada Indicadora SWING (laranja) (OSCILAÇÃO HORIZONTAL)

- ⑨ Grade de entrada
- ⑩ Abas de orientação do fluxo de ar para cima/baixo
- ⑪ Difusor de movimento
- ⑫ Abas de orientação do fluxo de ar para direita/esquerda (Atrás das abas para cima/baixo)
- ⑬ Mangueira de drenagem
- ⑭ Filtro de ar

Disjuntor eléctrico

Este disjuntor é instalado durante a instalação eléctrica.

Unidade de controlo (opcional)

Controlador remoto sem fios



Controlador remoto com fios



Controlador remoto simples



Para o método de funcionamento, consulte o Manual de funcionamento de cada dispositivo.

OPERAÇÃO MANUAL AUTOMÁTICA

Use a Operação Manual Automática no caso de perda do controlo remoto ou, se por outra razão, o mesmo se encontrar indisponível.



CUIDADO!

Não prima o botão MANUAL AUTO com as mãos molhadas ou com objectos agudos, caso contrário, pode ocorrer um choque eléctrico ou uma falha no funcionamento.

Iniciar

Prima o botão MANUAL AUTO localizado no painel de controlo de funcionamento.
O funcionamento pode ser definido na seguinte configuração.

Modo de funcionamento	AUTO	Quando o modo Auto não poder ser seleccionado, o aparelho vai funcionar no mesmo modo que a outra unidade interior no mesmo sistema. (Quando a outra unidade interior no mesmo sistema não estiver a funcionar, o ar condicionado vai funcionar no modo de arrefecimento.)
Velocidade da ventilação	AUTO	
Temperatura programada	23 °C	

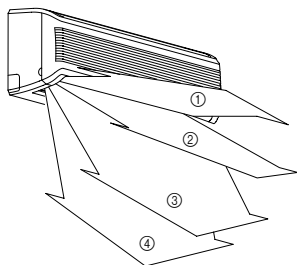
Parar

Prima o botão MANUAL AUTO localizado no painel de controlo de funcionamento.

REGULAÇÃO DA DIRECÇÃO DE CIRCULAÇÃO DO AR

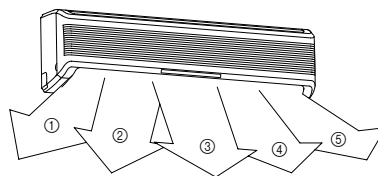
A orientação vertical do vento pode ser controlada na unidade de controlo. A orientação horizontal do vento pode ser controlada da mesma maneira.

Orientação vertical



Refrigeração/Desumidificação (Cooling/Dry) : ①, ②, ③, ④
Aquecimento (HEAT) : ①, ②, ③, ④

Orientação horizontal



Refrigeração/Desumidificação (Cooling/Dry) : ①, ②, ③, ④, ⑤
Aquecimento (HEAT) : ①, ②, ③, ④, ⑤

SUGESTÕES PARA O FUNCIONAMENTO

Funcionamento e rendimento

Sobre o estado de prioridade e o estado stand-by

- Podem ser ligadas várias unidades interiores ao mesmo sistema. Dependendo do sistema, as opções do modo de funcionamento são limitadas.

Estado de prioridade de arrefecimento	Quando as outras unidades interiores no mesmo sistema estiverem a funcionar no modo de arrefecimento ou desumidificação, o modo de aquecimento não pode ser seleccionado ao mesmo tempo.
Estado de prioridade de aquecimento	Quando as outras unidades interiores no mesmo sistema estiverem a funcionar no modo de aquecimento, o modo de arrefecimento ou desumidificação não pode ser seleccionado ao mesmo tempo.
Estado Standby	O estado standby é activado quando uma ou mais unidades interiores são ligadas ao mesmo tempo num modo diferente. Qualquer unidade interior para além do modo de prioridade vai aguardar no modo standby até que o modo de prioridade seja alterado (o seu funcionamento é iniciado assim que a prioridade for alterada). Neste momento, a lâmpada do indicador OPERATION (vermelha) acende-se e a lâmpada do indicador TIMER (verde) fica a piscar.

Refrigeração do ambiente com temperatura baixa

- Quando a temperatura externa baixar, os ventiladores da unidade externa podem baixar a velocidade.

Rendimento do aquecimento

- O modo de aquecimento funciona com base no princípio calor-bomba, absorvendo o calor do ar exterior e transferindo o calor para o interior. Como resultado, o rendimento da operação de aquecimento diminui à medida que a temperatura do ar externo baixa. Se achar que o calor produzido é insuficiente, recomendamos que utilize este Aparelho de Ar Condicionado em conjunto com outro aparelho de calefação.
- O modo de aquecimento aquece toda a sala através da recirculação de ar na sala, sendo necessário algum tempo depois de ligar o ar condicionado pela primeira vez até que a sala fique aquecida.

Descongelamento Automático controlado por Microprocessador

- Ao utilizar o modo de aquecimento quando a temperatura do ar exterior é baixa e a humidade alta, poderá formar-se gelo na Unidade Externa, resultando em queda do rendimento. Para controlar esta redução do rendimento, este equipamento está equipado com a função de descongelamento automático controlado por microprocessador. Em caso de formação de gelo, o Aparelho de Ar Condicionado parará temporariamente e o ciclo de descongelação funcionará (de 4 a 15 minutos). Durante a operação de Descongelamento Automático, a lâmpada do indicador OPERATION (vermelha) estará intermitente.

Operação de Recuperação do Óleo

- Periodicamente, a operação de recuperação do óleo é efectuada para devolver o óleo do compressor à unidade exterior. Durante a recuperação do óleo, a lâmpada do indicador OPERATION (vermelha) estará intermitente (10 minutos).

Variações de Temperatura e Humidade

- A temperatura e humidade necessárias para o funcionamento deste produto são apresentadas na seguinte tabela.

	Modo de Refrigeração / Desumidificação	Modo de Aquecimento
Temperatura Externa	Consulte as especificações das unidades exteriores.	
Temperatura Interna	Cerca de 18 a 32 °C	Cerca de 16 a 30 °C
Humidade Interna	Cerca de 80 % ou menos	

- Se o Aparelho de Ar Condicionado for usado sob condições de altas temperaturas, além daquelas mencionadas, o circuito de protecção incorporado pode funcionar para evitar danos no circuito interno. Também, durante os modos de refrigeração e desumidificação, se a unidade for usado sob condições de baixas temperaturas, além daquelas mencionadas, o permutador de calor pode congelar, provocando fugas de água ou outros danos.
- Se a unidade for usada por longos períodos em ambientes com alta humidade, poderá formar-se condensação na superfície da Unidade Interna e cairá no chão ou em objectos que estejam por baixo.
- Não use esta unidade para outros fins que não Refrigeração, Aquecimento e Desumidificação, e circulação do ar em ambientes comuns de habitação.

LIMPEZA E CUIDADOS

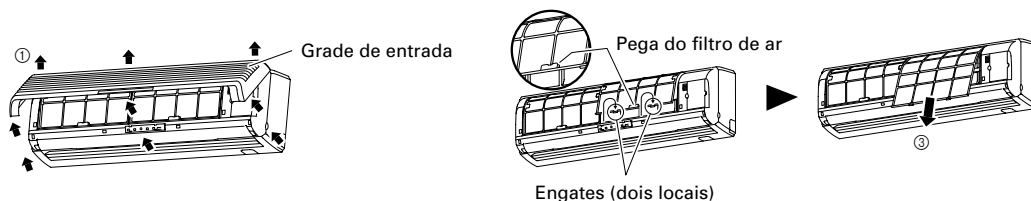
CUIDADO!

- Antes de proceder à limpeza do aparelho de ar condicionado, certifique-se de que o desliga, assim como o respectivo cabo de alimentação.
- Não se posicione numa plataforma instável quando estiver a fazer a limpeza.
- Quando estiver a remover e a substituir os filtros de ar, certifique-se de que não toca no permutador de calor, uma vez que tal procedimento poderá resultar em ferimentos pessoais.
- Certifique-se de que a grade de entrada é devidamente instalada.
- Quando limpar o corpo da unidade, não use água a uma temperatura superior a 40 °C, produtos de limpeza abrasivos ou voláteis como a benzina, o diluente, etc.
- Se houver acumulação de sujidade no filtro de ar, o fluxo de ar diminuirá, reduzindo a eficiência de funcionamento e aumentando o ruído.
Durante os períodos de utilização normal, os filtros de ar devem ser limpos em cada duas semanas.

Limpeza da grade de entrada e do filtro de ar

1. Remova a grade de entrada e o filtro de ar.

- ① Coloque os dedos na parte inferior de cada lado do painel da grade e faça um movimento para cima e para a frente. Se a grade de entrada parecer ficar presa a meio deste movimento, continue a levantá-la com cuidado para a remover.
- ② Levante a grade totalmente e retire-a.
- ③ Levante a pega do filtro de ar, separe os dois retentores inferiores e puxe o filtro para fora.

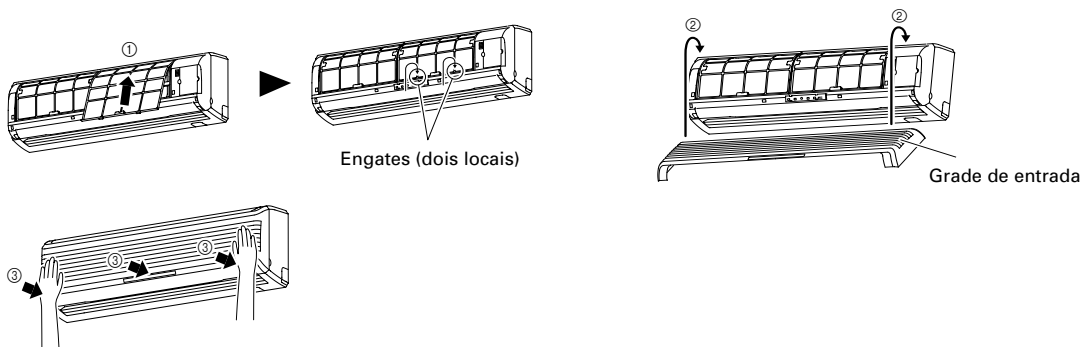


2. Limpeza

- ① Limpar a grade de entrada
Retire o pó com um aspirador, lave a grade com água quente e seque-a com um pano limpo e macio.
- ② Limpar o filtro do ar
Retire o pó com um aspirador ou lave-o. Depois de lavar, certifique-se de que a seca num local à sombra antes de a voltar a instalar.

3. Reponha a grade de entrada e o filtro de ar.

- ① Alinhe as partes laterais do filtro de ar com o painel e empurre totalmente, certificando-se de que os dois retentores inferiores voltam aos respectivos orifícios no painel.
- ② Segurando a grade de entrada na horizontal, fixe os dois engates superiores na unidade.
- ③ Pressione a grade de entrada nas partes laterais inferiores para fechar.



Limpar o corpo da unidade

Lave o corpo da unidade com água quente e seque-o com um pano limpo e macio.

Quando não for utilizado por um longo período de tempo

Deixe o disjuntor ligado pelo menos 12 horas antes de ligar a unidade quando pretender utilizá-la novamente.

DETECÇÃO E RESOLUÇÃO DE PROBLEMAS

As seguintes condições não são avarias ou falhas de funcionamento.

Sintoma	Problema	Veja página	
Não funciona imediatamente:	<ul style="list-style-type: none"> ● Se a unidade for desligada e, de seguida, imediatamente ligada, o compressor não funcionará durante cerca de 3 minutos, para evitar que o fusível queime. ● Sempre que o disjuntor for desligado e depois novamente ligado, o circuito de protecção funcionará durante 3 minutos, impedindo o funcionamento da unidade durante esse período de tempo. 	— —	
O fluxo de ar parou:	<ul style="list-style-type: none"> ● Quando o modo de aquecimento é accionado, o ventilador da unidade interior pode parar temporariamente, para permitir que as partes internas aqueçam. ● Durante a operação de aquecimento, se a temperatura ambiente subir acima da regulação do termóstato, a unidade externa parará e o ventilador da unidade interna também parará. Se desejar aquecer ainda mais o ambiente, regule o termóstato para uma temperatura mais alta. ● Durante a operação de recuperação de óleo, o fluxo de ar pode ser interrompido durante aproximadamente 10 minutos. ● Durante o modo de aquecimento, o aparelho irá interromper automaticamente o funcionamento (entre 4 e 15 minutos) durante o modo de descongelamento automático. ● O ventilador pode funcionar a uma velocidade reduzida durante o modo de Desumidificação ou quando a unidade estiver a controlar a temperatura ambiente. ● No modo de controlo automático (AUTO), o ventilador funcionará a uma velocidade baixa. 	— — 4 4 — —	
Lâmpadas a piscar:	A lâmpada do indicador OPERATION (vermelha) está a piscar:	Está a ser realizada uma operação de recuperação de óleo.	4
	A lâmpada do indicador OPERATION (vermelha) está a piscar:	Está a ser realizada uma operação de descongelamento automático.	4
	A lâmpada do indicador OPERATION (vermelha) e a lâmpada do indicador TIMER (verde) estão a piscar alternadamente:	Recuperou de uma falha de alimentação.	—
	A lâmpada do indicador OPERATION (vermelha) e a lâmpada do indicador TIMER (verde) estão a piscar em simultâneo:	Está a funcionar no modo de funcionamento de teste. Pergunte a um gestor uma vez que pode estar a decorrer uma operação de manutenção.	—
	A lâmpada do indicador OPERATION (vermelha) acende-se e a lâmpada do indicador TIMER (verde) fica a piscar:	Este é o modo standby.	4
Emite ruído:	<ul style="list-style-type: none"> ● Nas seguintes condições existem sons de água na unidade interior e o som do funcionamento fica alto. Estes são os sons do fluxo do refrigerante. Quando o funcionamento começa Quando a operação de recuperação de óleo termina Quando o funcionamento de descongelamento automático termina ● Durante o funcionamento, é possível ouvir-se um ligeiro rangido. Este é o resultado de uma expansão e contracção por minuto do painel devido a alterações de temperatura. ● Durante o funcionamento de aquecimento, pode ouvir-se ocasionalmente um zumbido. Este som é produzido pelo funcionamento de descongelamento automática. 	— — 4	
Odores:	● Podem ser emitidos odores a partir da Unidade Interna. Estes odores são resultados dos odores do ambiente (móveis, tabaco, etc.) que foram aspirados pelo Aparelho de Ar Condicionado.	—	
Está a sair uma névoa da unidade interior.	● Durante o funcionamento nos modos de Refrigeração (COOL), é possível visualizar-se uma névoa fina a sair da Unidade Interna. Isto deve-se ao repentino arrefecimento do ambiente pelo ar emitido do aparelho de ar condicionado, resultando em condensação e vaporização.	—	
Está a sair vapor da unidade interior.	● Durante o funcionamento de aquecimento, a ventoinha da unidade exterior pode parar e pode sair vapor da unidade. Isto deve-se ao funcionamento de Descongelamento automática.	4	
A Unidade Externa produz água:	● Durante o funcionamento de aquecimento, pode produzir-se água na unidade exterior devido ao funcionamento de descongelamento automática.	—	

As seguintes condições podem não se avarias, por isso verifique novamente.

Sintoma	Itens a verificar	Veja página
Simplemente não funciona:	<ul style="list-style-type: none"> ● Houve falha de energia? ● Um fusível queimou ou disparou um disjuntor? ● O interruptor está na posição OFF? ● Está a tentar realizar uma operação diferente da que está no estado de prioridade? ● Está no modo standby? 	— — — 4 4
O modo de funcionamento não pode ser alterado:	<ul style="list-style-type: none"> ● Está a tentar alterar para uma operação diferente da que está nas condições de prioridade? 	4
Rendimento de Refrigeração (ou Aquecimento) deficiente:	<ul style="list-style-type: none"> ● Regulou a temperatura ambiente (termostato) correctamente? ● O Filtro de Ar está sujo? ● A porta de entrada do ar ou a porta de saída do ar condicionado estão bloqueadas? ● Existe alguma janela ou porta aberta? ● No caso do modo de Refrigeração, existe alguma janela a permitir a entrada de luz solar com grande intensidade? (Feche as cortinas) ● No caso do modo de refrigeração, existem aparelhos geradores de calor e computadores muitas pessoas na sala? ● A velocidade da ventoinha está definida para uma velocidade lenta? 	— 5 — — — — —

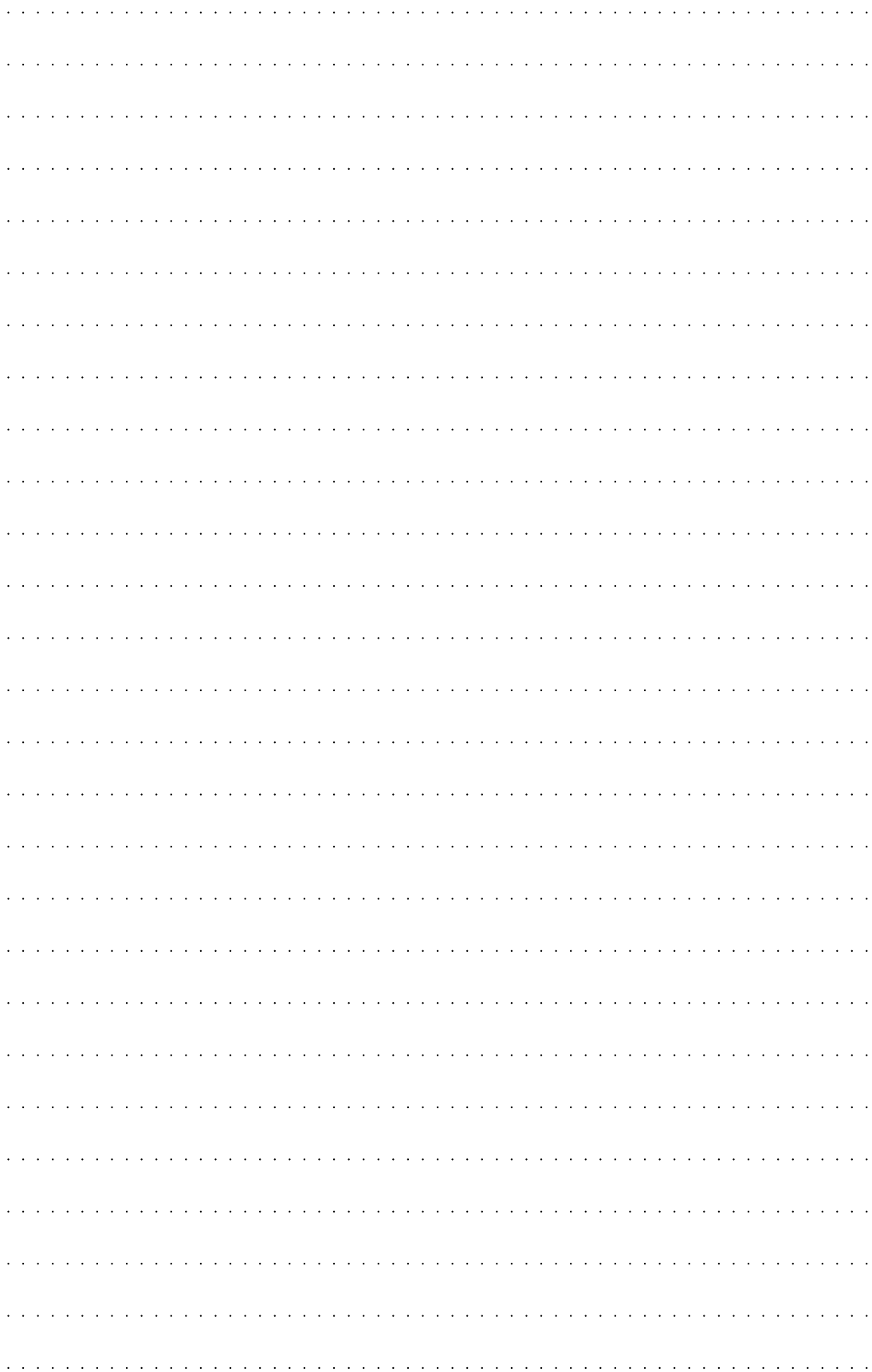
Nas seguintes situações pare o funcionamento de imediato e entre em contacto com um agente de serviço autorizado.

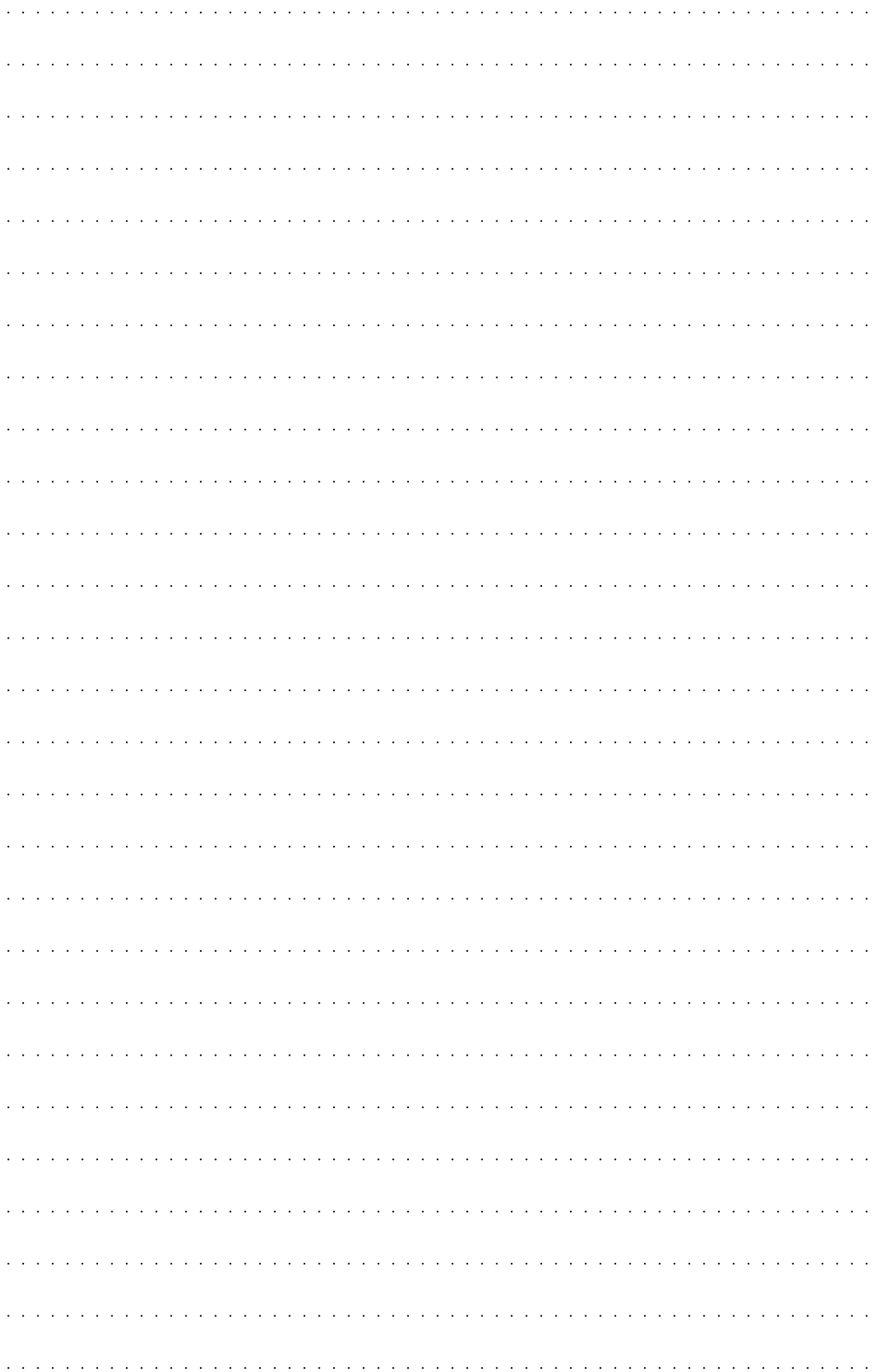
- O problema não pode ser solucionado mesmo quando as verificações de resolução de problemas forem realizadas.
- A lâmpada do indicador OPERATION (vermelha) está a piscar muito depressa.
- O controlador remoto com fios ou o controlador remoto simples indicam EE (quando estão ligados).
- Tem um cheiro a queimado.

ESPECIFICAÇÕES

MODELO	AS□A18L	AS□A24L	AS□A30L
FONTE DE ALIMENTAÇÃO	230 V~50 Hz		
TIPO DE VOLTAGEM DISPONÍVEL	de 198 a 264 V		
CAPACIDADE DE REFRIGERAÇÃO [kW]	5,40	6,90	8,00
CAPACIDADE DE AQUECIMENTO [kW]	5,60	7,80	8,80
DIMENSÕES E PESO			
ALTURA [mm]	320		
LARGURA [mm]	1.120		
PROFUNDIDADE [mm]	220		
PESO [kg]	16		

- Informação de ruído acústico: O nível acústico máximo é inferior a 70 dB(A) para ambas as unidades interna e externa. De acordo com IEC 704-1 e ISO 3744.





الحالات التالية لا تُعدّ خللاً، لذا حَقِّق منها مرة أخرى.

الصفحة	بنود للفحص	الأعراض
— — — ٤ ٤	<ul style="list-style-type: none"> ● هل حدث انقطاع في التيار؟ ● هل تم احتراق الفيوز، أو حدث خلل في الدائرة الكهربائية؟ ● هل مفتاح التيار الرئيسي مضبوط على وضع الإيقاف OFF؟ ● هل تحاول تشغيل عملية مختلفة عن حالة الأولوية؟ ● هل الجهاز في حالة الانتظار؟ 	لا تعمل على التشغيل أبداً:
٤	<ul style="list-style-type: none"> ● هل تحاول التغيير إلى عملية تشغيل مختلفة عن حالات الأولوية؟ 	لا يمكن تغيير وضع التشغيل:
— ٥ — — — — —	<ul style="list-style-type: none"> ● هل قمت بضبط تهيئات درجة الغرفة (منظم الحرارة) بصورة صحيحة؟ ● هل المصفاة متسخة؟ ● هل فتحة مدخل أو فتحة مخرج مكيف الهواء مسدودة؟ ● هل توجد نافذة أو باب مفتوح؟ ● في حالة تشغيل التبريد، هل تسمح النافذة بدخول أشعة ضوء الشمس؟ (أغلق الستائر.) ● في حالة تشغيل التبريد، هل يوجد مصدر حرارة قيد التشغيل داخل الغرفة أو يوجد أشخاص عديديون داخل الغرفة؟ ● هل تم ضبط المروحة على سرعة منخفضة أكثر مما ينبغي؟ 	إداء تبريد (أو تدفئة) رديء:

في الظروف التالية، أوقف التشغيل فوراً واتصل بفني صيانة مؤهل ومختص.

- لا يمكن حل المشكلة على الرغم من تنفيذ فحوصات تحري الخلل وإصلاحه.
- مصباح المؤشر OPERATION (أحمر) يومض بسرعة عالية.
- وحدة التحكم عن بعد السلكية أو وحدة التحكم عن بعد المبسطة يعرضان المؤشر EE (عند التوصيل).
- تصدر رائحة احتراق.

المواصفات

AS□A30L	AS□A24L	AS□A18L	الموديل
	٢٢٠ فولت ~ ٥٠ هرتز		مصدر التيار الكهربائي
	من ١٩٨ إلى ٢٦٤ فولت		نطاق الفولطية المتوفر
٨.٠٠	٦.٩٠	٥.٤٠	سعة التبريد [كيلووات]
٨.٨٠	٧.٨٠	٥.٦٠	سعة التدفئة [كيلووات]
الأبعاد والوزن			
	٢٢٠		الارتفاع [مم]
	١١٢٠		العرض [مم]
	٢٢٠		العمق [مم]
	١٦		الوزن [كجم]

- معلومات حول الضوضاء : أقصى حد لمستوى الضغط الصوتي يقل عن (A) 70 dB لكلتي الودعتين الداخلية والخارجية. طبقاً لمقاييس IEC 704-1 و ISO 3744.

الصفحة	المشكلة	الأعراض
—	<ul style="list-style-type: none"> ● إذا تم إيقاف الوحدة ثم أعيد تشغيلها مباشرة لن يعمل الضاغط لمدة ٣ دقائق، ذلك لمنع احتراق الفيوز. ● في أي وقت يتم فيه فصل قابس التيار ثم إعادة توصيله بمخرج التيار، سوف تعمل دائرة الوقاية لمدة ٣ دقائق تقريباً لمنع تشغيل الوحدة خلال تلك الفترة. 	لا تشتغل حالا:
—	<ul style="list-style-type: none"> ● عند بدء تشغيل وضع التدفئة، قد تتوقف مروحة الوحدة الداخلية مؤقتاً، لتسمح بتسخين الأجزاء الداخلية. ● خلال وضع التدفئة، إذا ارتفعت درجة حرارة الغرفة أعلى من تهيئة منظم درجة الحرارة (الترموستات)، ستتوقف الوحدة الخارجية، وستتوقف مروحة الوحدة الداخلية. إذا كنت ترغب بتدفئة الغرفة أكثر قم بضبط الترموستات على تهيئة درجة حرارة أعلى. ● أثناء تشغيل استعادة الزيت، يمكن لتدفق الهواء أن يتوقف لمدة ١٠ دقائق تقريباً. ● خلال وضع التدفئة، يتوقف تشغيل الوحدة مؤقتاً (لفترة بين ٤ و ١٥ دقيقة) عندما يشتغل وضع إزالة الصقيع تلقائياً. ● قد تعمل المروحة بسرعة منخفضة أثناء التشغيل على الوضع الجاف Dry او عندما تكون الوحدة في وضع مراقبة درجة حرارة الغرفة. ● في وضع تشغيل المراقبة التلقائي AUTO، ستعمل المروحة بسرعة منخفضة. 	تدفق الهواء ضعيف أو متوقف:
٤	يجري تنفيذ عملية استعادة الزيت.	مصباح مؤشر التشغيل OPERATION (أحمر) يومض:
٤	يجري تنفيذ عملية إزالة الصقيع تلقائياً.	مصباح مؤشر التشغيل OPERATION (أحمر) يومض:
—	تمت استعادة التيار الكهربائي بعد انقطاعه.	مصباح مؤشر التشغيل OPERATION (أحمر) ومصباح مؤشر المؤقت TIMER (أخضر) يومضان بالتناوب:
—	يتم التشغيل في وضع التشغيل الاختباري (التجريبي). اسأل المدير فقد تكون هناك عملية صيانة قيد التنفيذ.	مصباح مؤشر التشغيل OPERATION (أحمر) ومصباح مؤشر المؤقت TIMER (أخضر) يومضان في نفس الوقت معاً:
٤	هذه هي حالة الانتظار.	مصباح مؤشر التشغيل OPERATION (أحمر) يضاء ومصباح مؤشر المؤقت TIMER (أخضر) يومض:
—	<ul style="list-style-type: none"> ● في الحالات التالية تصدر أصوات ماء متدفق من الوحدة الداخلية ويصبح صوت التشغيل عاليًا. هذه الأصوات هي أصوات تدفق مادة التبريد. ● عند بدء التشغيل ● عند انتهاء عملية استعادة الزيت ● عند انتهاء عملية إزالة الصقيع التلقائية ● أثناء التشغيل، قد يُسمع صوت صرير خفيف. وهذا ناتج عن التمددات والتقلّصات الدقيقة للوحة بسبب التغيّرات في درجة الحرارة. ● أثناء وضع التدفئة، قد يسمع صوت حاد جدا بعض الاحيان. هذا الصوت يحصل بعملية أذابة الجليد التلقائية. 	سماع ضجيج:
—	قد تتبعث بعض الروائح من الوحدة الداخلية. هذه الرائحة ناتجة من روائح الغرفة (الأثاث، السجائر، الخ) والتي امتصتها مكيفات الهواء.	روائح:
—	● أثناء التشغيل في وضع التبريد، قد يبدو أن هناك انبعاث لضباب خفيف من الوحدة الداخلية. وهذا ناتج عن التبريد المفاجئ لهواء الغرفة بواسطة الهواء المنبعث من مكيف الهواء وهو ما يؤدي إلى التكثف وتكوّن الضباب.	ينبعث ضباب من الوحدة الداخلية:
٤	● أثناء تشغيل التدفئة، قد تتوقف مروحة الوحدة الخارجية ويظهر البخار متصاعداً من الوحدة. هذا يحدث نتيجة تشغيل وضع إزالة الصقيع.	ينبعث البخار من الوحدة الداخلية:
—	● خلال وضع التدفئة، قد يخرج ماء من الوحدة الخارجية بسبب تشغيل إزالة الصقيع التلقائي.	يخرج ماء من الوحدة الخارجية:

تنظيف الجسم

اغسل الجسم بالماء الدافئ، ثم جفّفه باستخدام قطعة قماش نظيفة وناعمة.

عند عدم الاستعمال لفترة زمنية طويلة

عندما تريد الاستعمال مجددًا، اترك القاطع في حالة تشغيل لمدة ١٢ ساعة على الأقل قبل بدء التشغيل.

تنبيه!

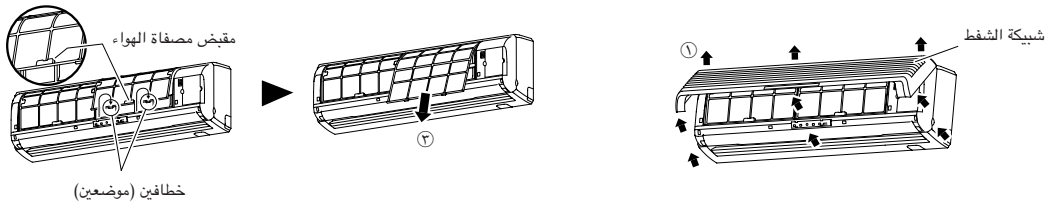


- قبل تنظيف مكيف الهواء، تأكد من إيقاف تشغيله وفصل مصدر إمداد التيار الكهربائي.
- لا تقف على منصة غير مستقرة عند التنظيف.
- عند نزع أو استبدال مصافي الهواء، تأكد من عدم لمس مبدل الحرارة، حيث قد تصاب بجروح.
- تأكد من تركيب شبكة الدخل بأمان.
- عند تنظيف هيكل الوحدة، لا تستعمل ماء ساخن أكثر من ٤٠ درجة مئوية أو منظفات حادة قوية أو محاليل متطايرة مثل البنزين أو الثر.
- إذا تراكم الغبار على مصفاة الهواء، يتم تخفيض دفق الهواء، وينخفض تأثير التشغيل ويزيد من الضوضاء.
- أثناء فترات الاستعمال العادي، يجب تنظيف مصافي الهواء كل أسبوعين.

تنظيف شبكة الشفط ومرشّح الهواء

١. انزع شبكة الشفط ومرشّح الهواء.

- ① ضع أصابعك على كل من الطرفين السفليين للوحة الشبكية، وقم برفعها إلى الامام، إذا حدثت عاقبة أثناء حركة الشبكية، استمر بالرفع برفق إلى اعلى لنزعها.
- ② ارفع الشبكة بالكامل وانزعها.
- ③ ارفع مقبض مصفاة الهواء، وقم بفصل اللسانين السفليين واسحب للخارج.

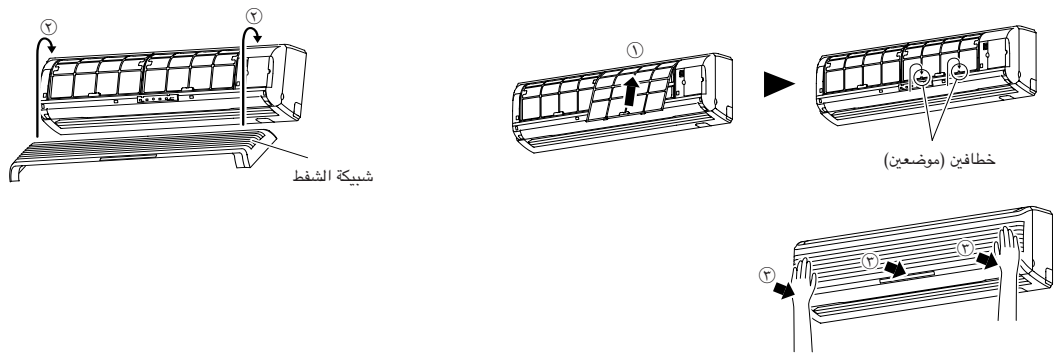


٢. التنظيف

- ① تنظيف شبكة الشفط
- قم بإزالة الغبار باستعمال مكنسة كهربائية واغسل الشبكة بالماء الدافئ ثم جفّفها باستعمال قطعة قماش نظيفة وناعمة.
- ② تنظيف مرشّح الهواء
- قم بإزالة الغبار باستعمال مكنسة كهربائية أو عن طريق الغسل. بعد الغسل، تأكد من تركه يجفّ تماماً في مكان مظلل قبل إعادة تركيبه.

٣. قم باستبدال شبكة الشفط ومرشّح الهواء.

- ① قم بمحاذاة الجوانب لمصفاة الهواء مع اللوحة، وادفع للداخل بالكامل، مع التأكد من إعادة اللسانين السفليين إلى موضعهم في الثقوب بصورة صحيحة في اللوحة.
- ② بامسك شبكية الشفط أفقياً، قم بربط الخطافين العلويين على الوحدة.
- ③ اضغط شبكية الشفط على الجوانب السفلية للخلق.



ملحوظات حول التشغيل

التشغيل والأداء

حول حالة الأولوية وحالة الإنتظار المؤقت

- يمكن توصيل عدة وحدات داخلية ضمن نفس النظام. اختيار وضع التشغيل محدود وذلك تبعاً للنظام.

حالة أولوية التبريد	في حالة كون الوحدات الداخلية الأخرى ضمن نفس النظام تعمل في وضع التبريد أو وضع التجفيف، لا يمكن اختيار وضع التدفئة في الوقت ذاته.
حالة أولوية التدفئة	في حالة كون الوحدات الداخلية الأخرى ضمن نفس النظام تعمل في وضع التدفئة، لا يمكن اختيار وضع التبريد ووضع التجفيف في نفس الوقت.
حالة الإنتظار	يتم تفعيل حالة الإنتظار عند بدء تشغيل وحدتين داخليتين أو أكثر في نفس الوقت في وضعين مختلفين. أي وضع للوحدة الداخلية غير وضع الأولوية يتحول إلى وضع الإنتظار إلى أن يتغير وضع الأولوية (يبدأ التشغيل بمجرد تحويل وضع الأولوية). في هذا الوقت، يضاء مصباح مؤشر التشغيل OPERATION (أحمر) ويومض مصباح مؤشر المؤقت TIMER (أخضر).

التبريد في درجة حرارة منخفضة

- عندما ترتفع درجة الحرارة داخل الغرفة وخارجها أثناء استعمال وضع التدفئة، يمكن لمروحة الوحدة الخارجية ان تتوقف أحياناً.

أداء التدفئة

- يعمل وضع التدفئة طبقاً لمبدأ المضخة الحرارية، ممتصاً الحرارة من الهواء الخارجي ومحولاً تلك الحرارة إلى داخل الغرفة. ولذا فإن أداء التدفئة له تقل بانخفاض درجة الحرارة الخارجية. إذا كان مستوى تدفئة الغرفة غير كاف فإننا نوصي باستعمال مكيف الهواء مع جهاز تدفئة آخر.
- وضع التدفئة يقوم بتدفئة غرفتك كلها عن طريق تدوير الهواء في كافة أرجاء الغرفة، وبالتالي فقد تحتاج الى تدفئة الغرفة بعض الوقت بعد بدء تشغيل مكيف الهواء.

إزالة الصقيع التلقائي بالمركوكومبيوتر

- عندما تكون درجة الحرارة الخارجية منخفضة والرطوبة مرتفعة فإن استعمال وضع التدفئة يمكن ان يتسبب في تكوين الصقيع داخل الوحدة الخارجية مما يقلل من أدائها في التدفئة. ولتجنب هذا النوع من انخفاض الأداء، تم تجهيز هذه الوحدة بميكروكمبيوتر يتحكم تلقائياً لوظيفة إزالة الصقيع. إذا تكون الصقيع، يتم توقف مكيف الهوائي مؤقتاً، وستعمل دائرة إزالة الصقيع لفترة قصيرة (لمدة 4 إلى 15 دقيقة تقريباً).
- أثناء وضع إزالة الصقيع فإن مصباح مؤشر التشغيل OPERATION (أحمر) يومض.

عملية استعادة الزيت

- يتم القيام بعملية استعادة الزيت بشكل دوري وذلك لارجاع زيت الضاغط الى الوحدة الخارجية.
أثناء القيام بعملية استعادة الزيت، يومض مصباح المؤشر OPERATION (أحمر) (لمدة 10 دقائق تقريباً).

نطاق درجة الحرارة والرطوبة

- درجة الحرارة والرطوبة المطلوبة لتشغيل هذا المنتج هما كما هو مبين في الجدول التالي.

وضع التدفئة	وضع التبريد والجاف	
	يرجى مراجعة مواصفات الوحدات الخارجية.	درجة الحرارة الخارجية
حوالي 16 إلى 30 مئوية	حوالي 18 إلى 32 مئوية	درجة الحرارة الداخلية
	حوالي 80% أو أقل	الرطوبة الداخلية

- إذا تم إستعمال الوحدة تحت ظروف حرارة أعلى من المذكورة هنا، قد تعمل الوقاية الداخلية لتعطيل التشغيل. أيضاً أثناء وضعي التبريد والجاف، إذا تم استخدام الوحدة تحت ظروف درجات حرارة أقل من المذكورة هنا، قد يتجمد المبادل الحراري مسبباً تسرب الماء أو أعطال أخرى.
- إذا تم استعمال الوحدة لمدة طويلة من الزمن تحت ظروف من الرطوبة العالية، فقد يتكثف الماء وتسقط القطرات من السطح الخارجي للوحدة والارضية والاجسام السفلية.
- لا تستعمل مكيف الهواء لاي غرض عدا تبريد الغرفة، تدفئة الغرفة أو تجفيف الغرفة أو المروحة.

التشغيل التلقائي اليدوي

إستعمل طريقة التشغيل MANUAL AUTO (ألي يدوي) في حال ضياع المتحكم عن بعد أو عدم توفره لأي سبب.

لا تضغط الزر MANUAL AUTO ويديك مبللتين أو باستعمال اجسام مدببة، وإلا قد يحدث صدمة كهربائية أو عطل.

تنبيه!



بدء التشغيل

اضغط الزر MANUAL AUTO على لوحة التحكم في التشغيل.

يمكن تهيئة التشغيل على الأوضاع التالية.

وضع التشغيل	تلقائي
وضع التشغيل	إذا لم يكن اختيار الوضع التلقائي ممكناً فسيعمل في نفس الوضع مثل الوحدات الداخلية الأخرى المتضمنة في نفس النظام. (إذا لم تعمل وحدة داخلية أخرى ضمن نفس النظام فسيعمل مكيف الهواء في وضع التبريد.)
سرعة المروحة	تلقائي
تهيئة درجة الحرارة	٢٣ مئوية

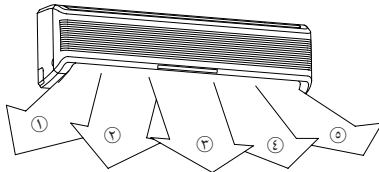
إيقاف التشغيل

اضغط الزر MANUAL AUTO على لوحة التحكم في التشغيل.

ضبط اتجاه توزيع الهواء

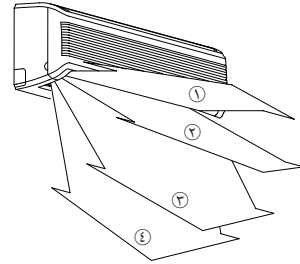
يمكن التحكم في اتجاه الهواء العمودي باستعمال وحدة التحكم. كما يمكن التحكم في اتجاه الهواء الأفقي بنفس الطريقة.

الاتجاه الأفقي

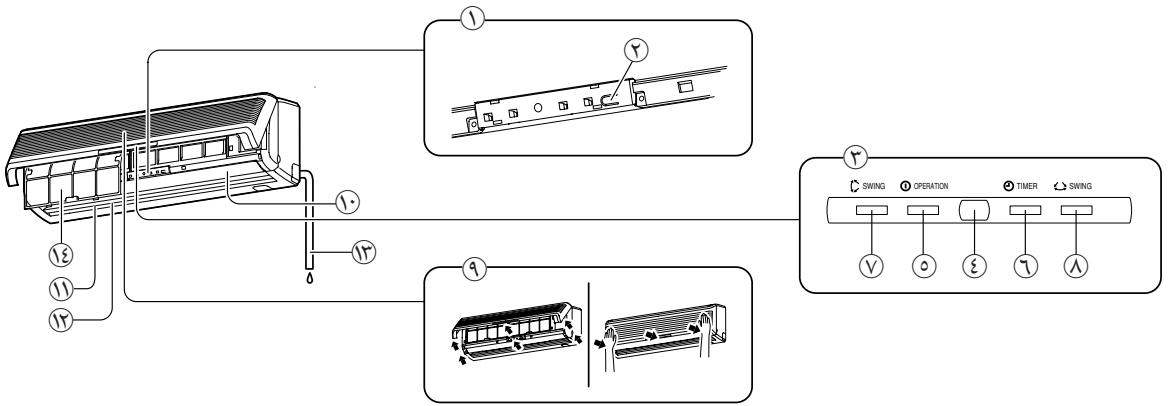


تبريد/تجفيف : ١, ٢, ٣, ٤, ٥
تدفئة : ١, ٢, ٣, ٤, ٥

الاتجاه العمودي



تبريد/تجفيف : ١, ٢, ٣, ٤, ٥
تدفئة : ١, ٢, ٣, ٤, ٥



- ٩ شبكة الشفط
 ١٠ ريش توجيه الهواء الى اعلى واسفل UP/DOWN
 ١١ ناشرة متحركة
 ١٢ ريش توجيه الهواء يمينا ويسارا RIGHT/LEFT
 (خلف ريش توجيه الهواء الى اعلى واسفل
 UP/DOWN)
 ١٣ خرطوم تصريف
 ١٤ مصفاة الهواء

قاطع الدائرة الكهربائية

قاطع الدائرة الكهربائية هذا تم تركيبه اثناء التركيب الكهربائي.

- ١ لوحة التحكم في التشغيل
 ٢ زر التلقائي اليدوي MANUAL AUTO

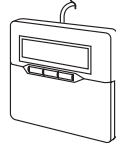
- ٣ مصابيح المؤشر
 ٤ مستقبل اشارة التحكم عن بعد
 ٥ مصباح مؤشر التشغيل (احمر) OPERATION
 ٦ مصباح مؤشر المؤقت (اخضر) TIMER
 ٧ مصباح مؤشر التارجح (برتقالي) SWING
 (VERTICAL SWING)
 ٨ مصباح مؤشر التارجح (برتقالي) SWING
 (HORIZONTAL SWING)

وحدة التحكم (اختيارية)

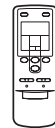
وحدة تحكم عن بعد مبسطة



وحدة تحكم عن بعد سلكية



وحدة تحكم عن بعد لاسلكية



بخصوص طريقة التشغيل، يُرجى مراجعة دليل التشغيل الخاص بكل وحدة.

٤	ملحوظات حول التشغيل	١	احتياطات الامان
٥	التنظيف والعناية	٢	اسماء الأجزاء
٧	تحري الخلل وإصلاحه	٣	التشغيل التلقائي اليدوي
٨	المواصفات	٣	ضبط اتجاه توزيع الهواء


احتياطات الامان

- قبل استعمال الجهاز، إقرأ هذه "التنبيهات الإحتياطية" جيداً وقم بالتشغيل بطريقة صحيحة.
- التعليمات الواردة في هذا القسم تتعلق جميعها بالسلامة: تأكد من المحافظة على ظروف تشغيل آمنة.
- لكل من العبارات "تحذير" و"تنبيه" في هذه التعليمات المعنى الوارد أدناه:

هذه العلامة تشير على خطوات قد يؤدي عدم تنفيذها بصورة صحيحة الى الوفاة أو الإصابة الخطيرة للمستخدم.		تحذير!
هذه العلامة تشير الى خطوات قد يؤدي عدم تنفيذها بصورة صحيحة الى احتمال اصابة المستخدم بأذى شخصي او اصابة الممتلكات بالتلف.		تنبيه!

تنبيهات احتياطية حول الاستعمال

- لا تعرض نفسك الى هواء المكيف بشكل مباشر لفترة زمنية طويلة.
- لا تقم بادخال اصابعك او اي مواد اخرى في الخارج او شبكية الشفط.
- لا تبدأ أو توقف تشغيل مكيف الهواء عن طريق فصل سلك التيار الكهربائي وما إلى ذلك.
- إذا كان سلك إمداد التيار الكهربائي الخاص بالجهاز تالفاً، ينبغي ألا يتم استبداله إلا بواسطة فني صيانة مؤهل ومختص لأنه يتطلب استخدام أدوات خاصة وسلكاً خاصاً.
- إذا تسرب أي قدر من مادة التبريد، قم بإطفاء أي مصدر لهب وقم بتهوية الغرفة واتصل بفني صيانة مؤهل ومختص.

 تحذير!

- اسمح للتهوية المستمرة اثناء الاستعمال.
- لا تستعمله لأغراض تتعلق بتخزين الأطعمة أو الآلات الدقيقة أو الأعمال الفنية.
- لا تقم بتعريض الحيوانات او النباتات لجري الهواء المباشر.
- لا تقم بتوجيه الهواء مباشرة على موقد او اجهزة التدفئة.
- لا تعتمد إلى سدّ أو تغطية فتحة المدخل أو فتحة المخرج.
- لا تتسلق على مكيف الهواء، او وضع اي شيء على مكيف الهواء.
- لا تقم بوضع مزهريات او حاويات للماء على مكيف الهواء.
- لا تقم بتعليق اي شيء على الوحدة الداخلية.
- لا تضع أي شيء من الأشياء التي لا ينبغي أن تتعرض للبلل تحت الوحدة الداخلية.
- قم دائماً بفصل قاطع الدائرة الكهربائية كلما اردت تنظيف مكيف الهواء او مرشح الهواء.
- لا تقم بتعريض مكيف الهواء مباشرة للماء.
- لا تقم بتشغيل مكيف الهواء ويديك مبللتين.
- عاين حالة التركيب من الخلل.
- قم بالتشغيل فقط بعد تركيب المصفاة.
- لا تشرب الماء الصادر عن مكيف الهواء.
- لا تقم بتعريض ريش الراديتير لضغط ثقيل.
- لا تستعمل الغازات القابلة للاشتعال بالقرب من مكيف الهواء.
- لا تلمس الأنابيب أثناء التشغيل.
- تأكد من وجود اي جهاز بعيدا عن الوحدة الداخلية او الخارجية على الاقل مسافة متر واحد.

 تنبيه!

تنبيهات احتياطية حول التركيب

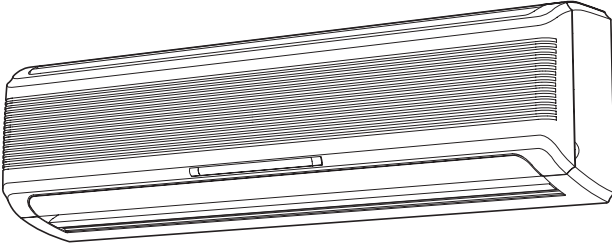
- لا تعتمد الى تركيب مكيف الهواء هذا بنفسك.
- هذه الوحدة لا تتضمن قطع قابلة للصيانة من قبلك. قم دائما باستشارة فني مؤهل للتصليح.
- عند النقل، قم باستشارة فني مؤهل بخصوص الفك والتركيب للوحدة.
- يجب تأريض الوحدة (توصيلها بالأرضي).
- تأكد من تنفيذ أعمال التصريف بطريقة تحقّق التصريف الصحيح.
- تجنب من تركيب مكيف الهواء بالقرب من موقد نار او اجهزة تدفئة اخرى.
- تأكد عند تركيب الوحدة الداخلية او الخارجية ان يكونا بعيدا متناول الاطفال.

 تنبيه!

دليل التشغيل

مكيف الهواء

طراز تركيب على الجدار



الوحدة الداخلية

AS□A18L

AS□A24L

AS□A30L

قم بحفظ دليل التشغيل هذا
كمراجع للمستقبل